



## Trims & Moldings

---

SIDING

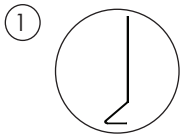
5975 chemin de la Savane, Saint-Hubert, QC J3Y 0X1  
T. 450 464-5486 | F. 450 464-4538  
MACmetalarchitectural.com  
info@macmetalarchitectural.com

**MAC**  
METAL ARCHITECTURAL

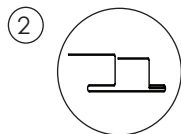
2023

# Disposition of the moldings

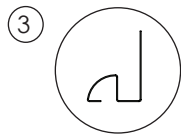
The suggested dispositions will apply to all profiles



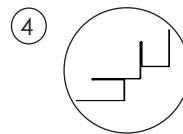
1 Starter strip



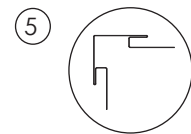
2 Vertical transition trim



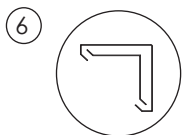
3 Inside corner or QJ



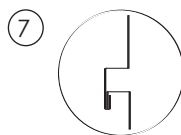
4 Outside corner with Integrated J Trim



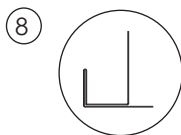
5 Outside corner with integrated J



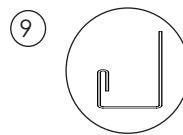
6 Outside corner



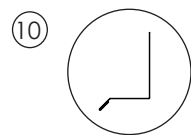
7 Horizontal transition trim



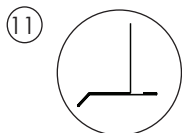
8 Extended J trim



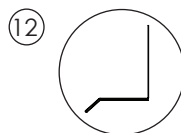
9 J trim



10 Drip flashing



11 Extended drip flashing



12 Double drip flashing

Approximate manufacturing tolerances :  
 1/16" on all lengths  
 1 degree on bend angles

## Harrywood PLUS, Harrywood, Harrywood Block, MS 14, Norwood & Norwood Mini Profiles

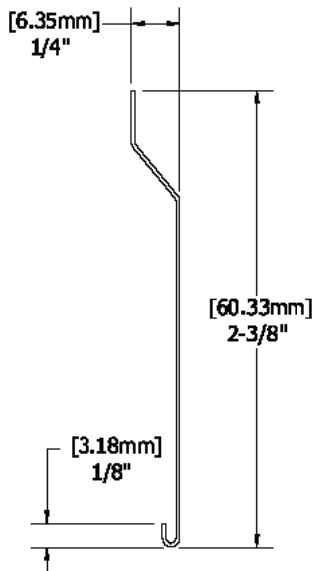
Variable = Degree or inch / mm Units = Inch and/or mm

All Trims come in a 10' length, 26 gauge

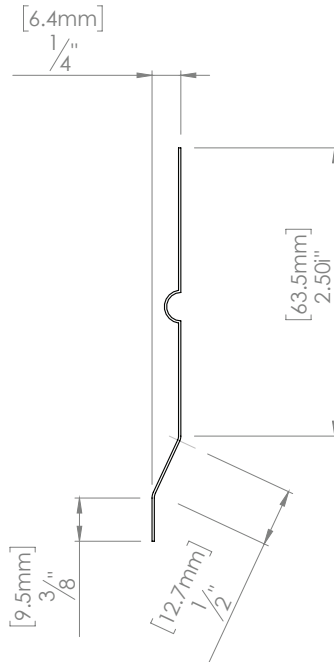
### Starting strip

The starting strip will be the first to be put in place at the beginning of the work to guide and secure the production of the project.

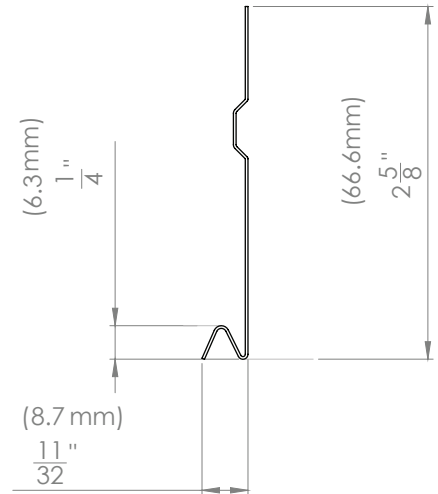
#### No. M10SHWP (HWP) Starting strip



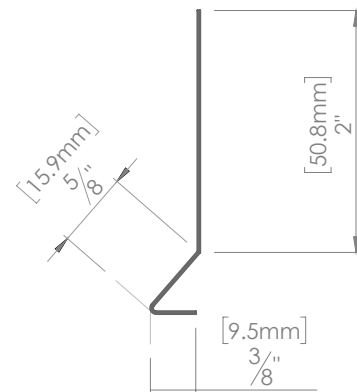
#### No. M10SHW (HW & HWB) Starting strip



#### No. M10S14 (MS 14) Starting strip



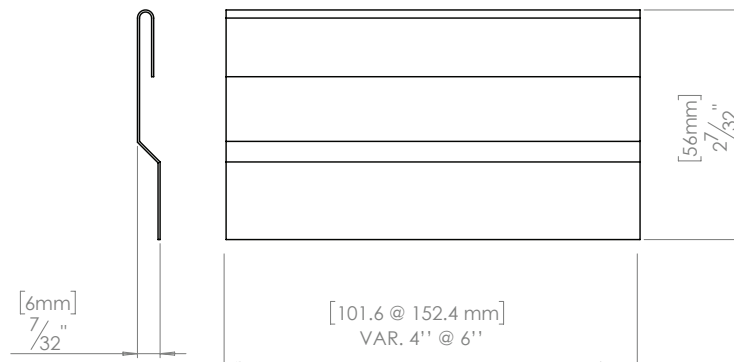
#### No. M10D (NW & NWM) Starting strip



### Rear restraining bracket

The rear support bracket acts as a reinforcement support when installing on large surfaces.

#### No. ABRA2 (HW) Rear restraining bracket



## Harrywood PLUS, Harrywood, Harrywood Block, MS 14, Norwood & Norwood Mini Profiles

Variable = Degree or inch / mm Units = Inch and/or mm

All Trims come in a 10' length, 26 gauge

### J trim

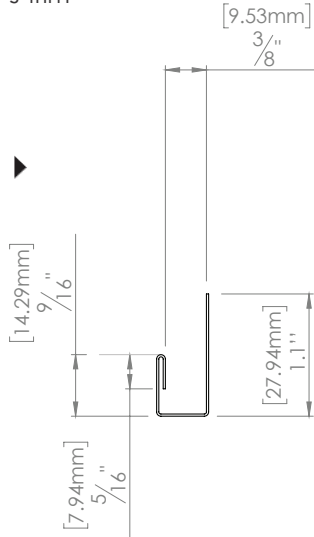
The J trim is used on the sides and bottom of any opening. Available in several forms depending on the needs of the project:

The double J trim will be used when a stronger molding is required or to fill a spacing. Note that the entire piece is colored.

The extended J trim will be used to cover more surface as in the case of a window that is coming out of the wall.

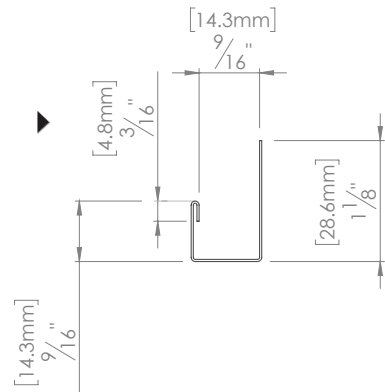
### No. M01C (HWP,HW,HWB & MS 14)

J trim



### No. M01D (NW & NWM)

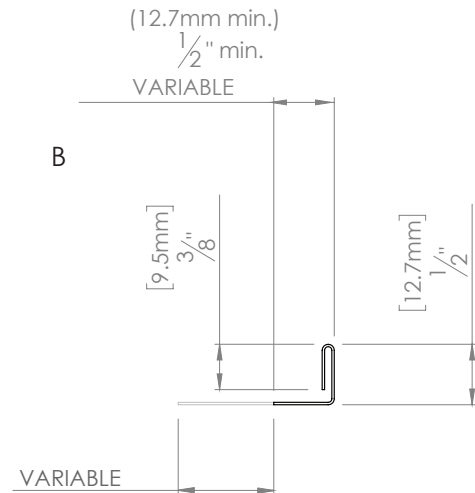
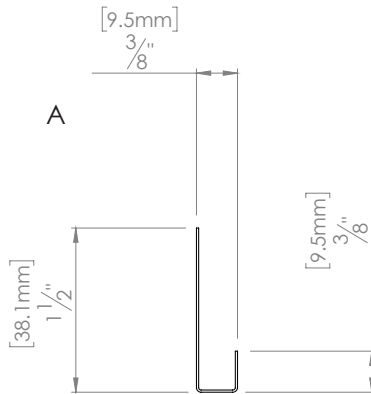
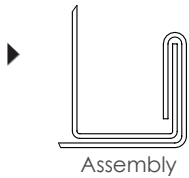
J trim



### No. M03C (HWP,HW,HWB & MS 14)

Extended J trim

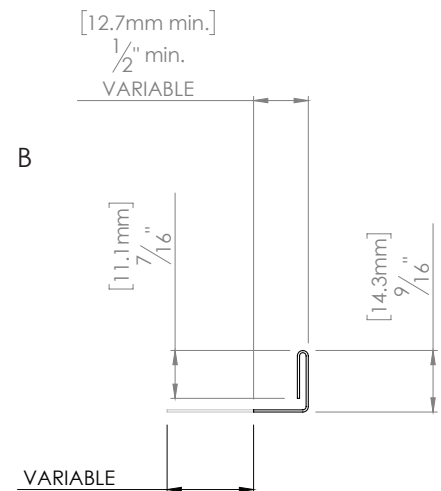
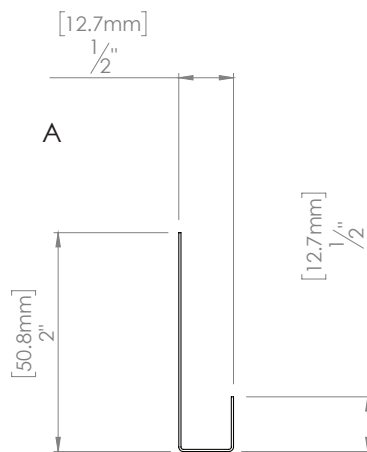
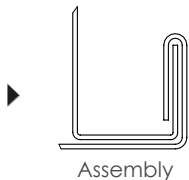
(2 pieces)



### No. M03D (NW & NWM)

Extended J trim

(2 pieces)



## Harrywood PLUS, Harrywood, Harrywood Block, MS 14, Norwood & Norwood Mini Profiles

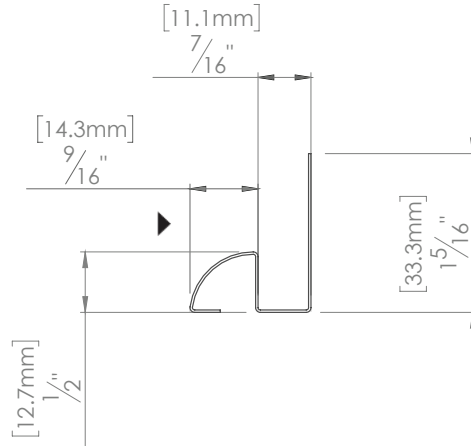
Variable = Degree or inch / mm Units = Inch and/or mm

All Trims come in a 10' length, 26 gauge

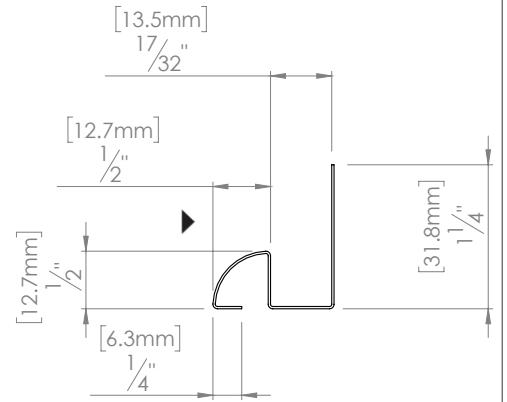
### Inside corner or QJ

The QJ molding has the same functions as the J trim but is used most frequently as an interior corner.

**No. M22C (HWP,HW,HWB & MS 14)**  
Inside corner or QJ



**No. M22D (NW & NWM)**  
Inside corner or QJ



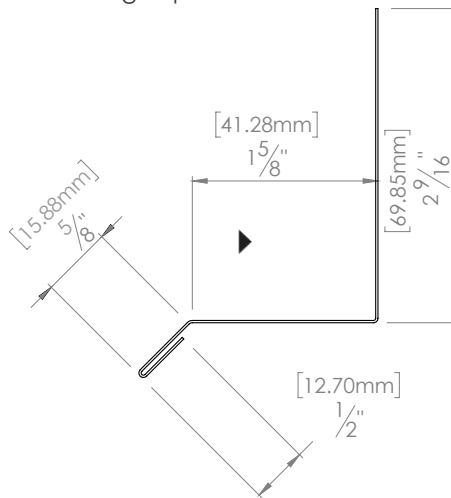
### Drip flashing

It is important to use a drip flashing over any opening to drain water.

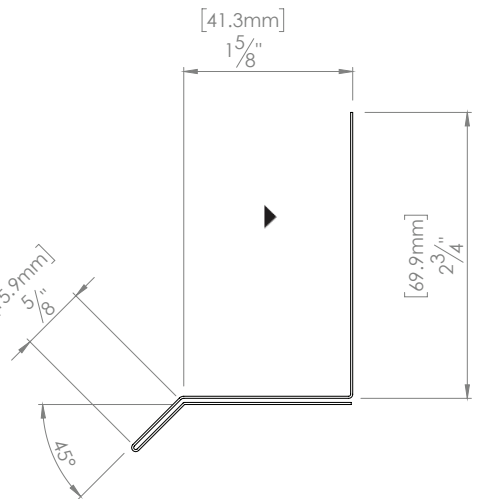
The double drip flashing will be used to fill a gap. Note that the entire piece is colored.

The extended drip flashing is chosen when a window or opening is too far towards the inside of the wall. Note that the entire piece is colored.

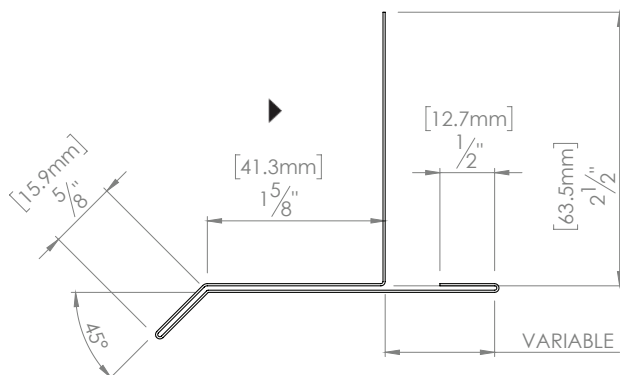
**No. M50CD (HWP,HW,HWB, MS 14 & NW & NWM)**  
Flashing drip



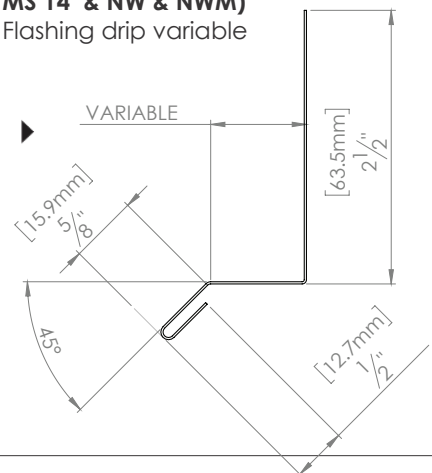
**No. M53CD (HWP,HW,HWB, MS 14 & NW & NWM)**  
Double flashing drip



**No. M56CD (HWP,HW,HWB, MS 14 & NW & NWM)**  
Extended drip flashing w/variable



**No. M52CD (HWP,HW,HWB, MS 14 & NW & NWM)**  
Flashing drip variable



## Harrywood PLUS, Harrywood, Harrywood Block, MS 14, Norwood & Norwood Mini Profiles

Variable = Degree or inch / mm Units = Inch and/or mm

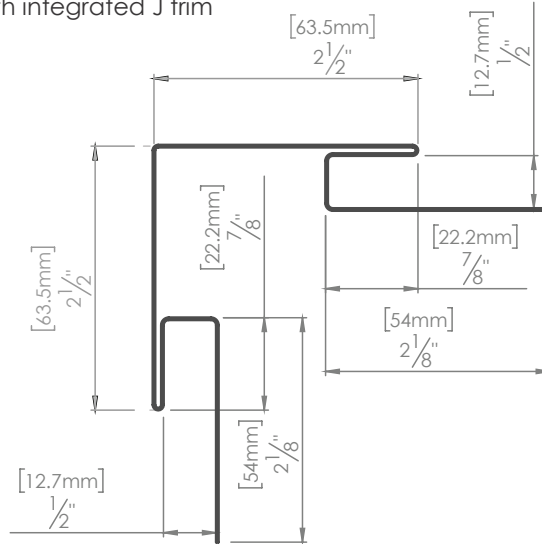
All Trims come in a 10' length, 26 gauge

### Outside corner

The outside corner is used to cover the junction of two outgoing walls.

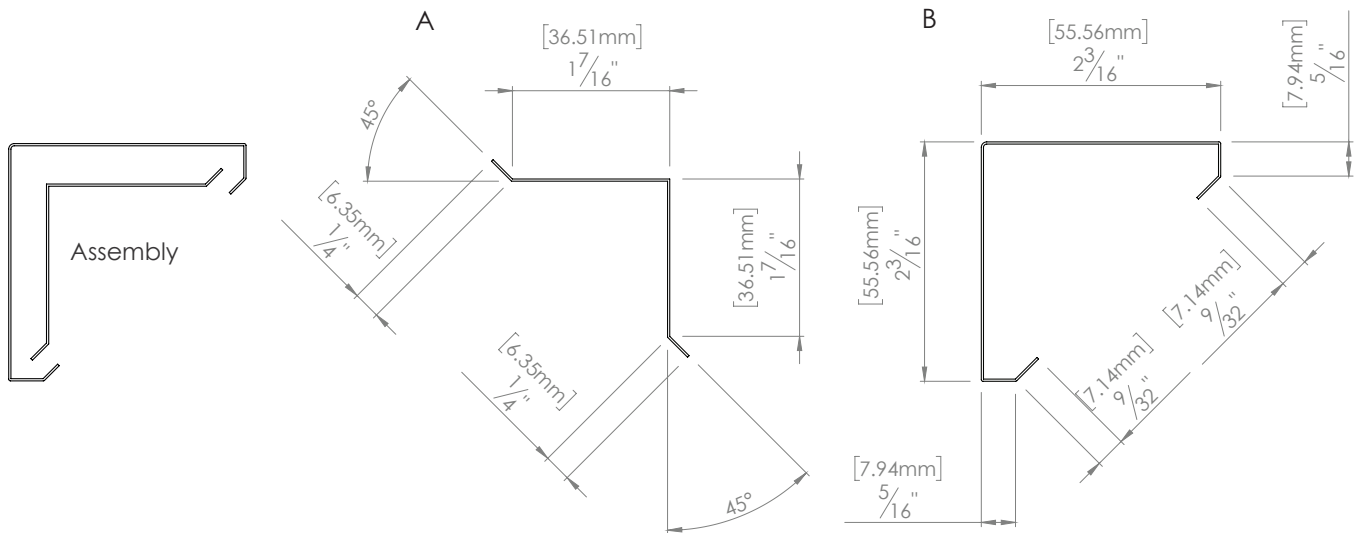
#### No. M20D (NW & NWM)

Outside corner with integrated J trim



#### No. M20C (HWP, HW, HWB & MS 14)

Outside corner (2 pieces)



## Harrywood PLUS, Harrywood, Harrywood Block, MS 14, Norwood & Norwood Mini Profiles

Variable = Degree or inch / mm Units = Inch and/or mm

All Trims come in a 10' length, 26 gauge

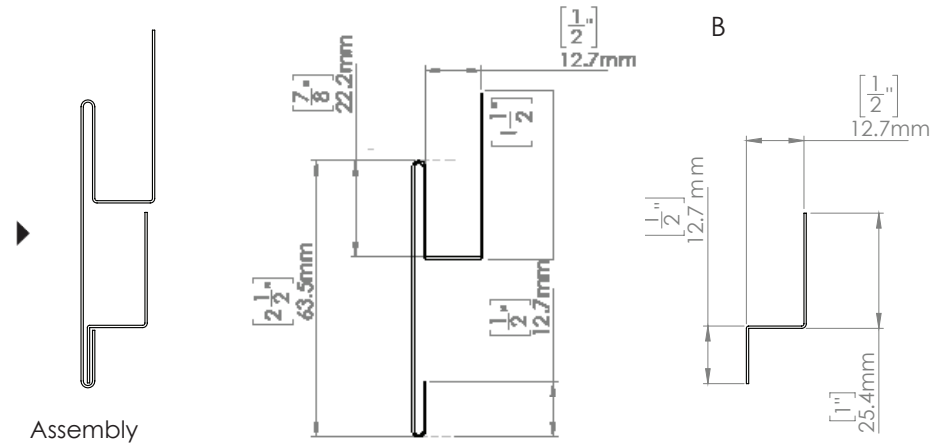
### Transition trim

Used to create a transition between two sidings, to create a junction during the installation of a large surface of the same siding, or to mark the change between two materials.

The horizontal transition molding can also be used as a floor slump.

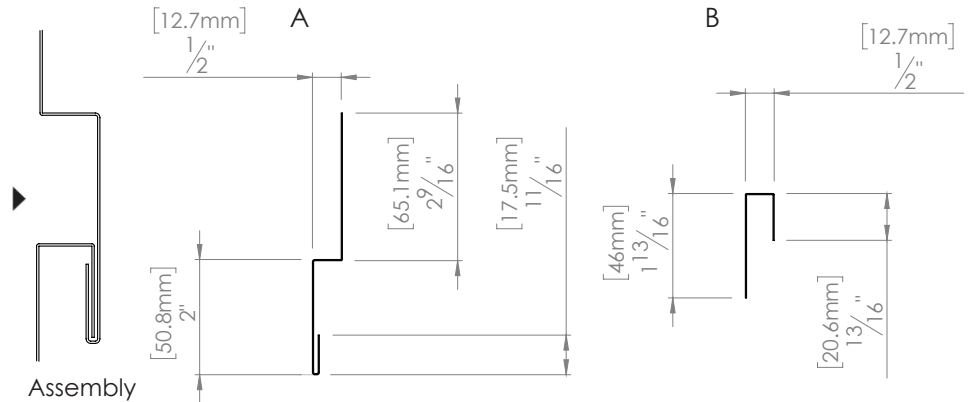
#### No. M12C (HWP,HW,HWB & MS 14)

Vertical transition trim (2 pieces)



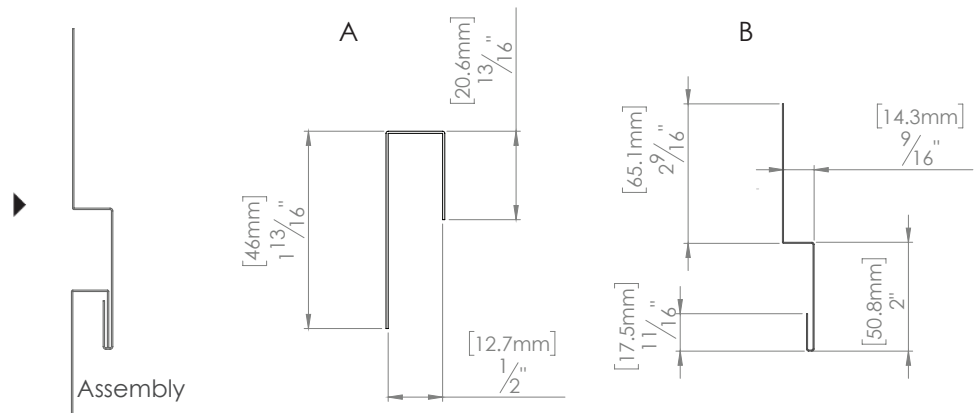
#### No. M13C (HWP,HW,HWB & MS 14)

Horizontal transition trim (2 pieces)



#### No. M13D (NW & NWM)

Horizontal transition trim (2 pieces)



## Harrywood PLUS, Harrywood, Harrywood Block, MS 14, Norwood & Norwood Mini Profiles

Variable = Degree or inch / mm Units = Inch and/or mm

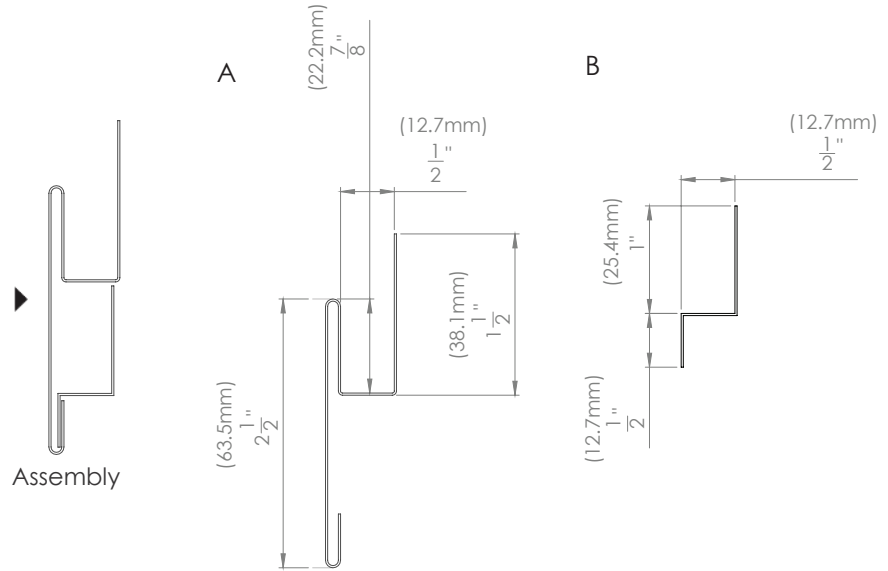
All Trims come in a 10' length, 26 gauge

### Transition trim

#### No. M12D (NW & NWM) Vertical transition trim (2 pieces)

Used to create a transition between two sidings, to create a junction during the installation of a large surface of the same siding, or to mark the change between two materials.

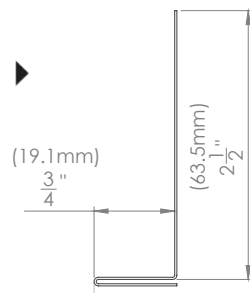
The horizontal transition molding can also be used as a floor slump.



### L trim

#### No. M14CD (HWP, HW, HWB, MS 14, NW & NWM) L trim

The L trim will be used to fill a gap or to create a transition space between two sidings.





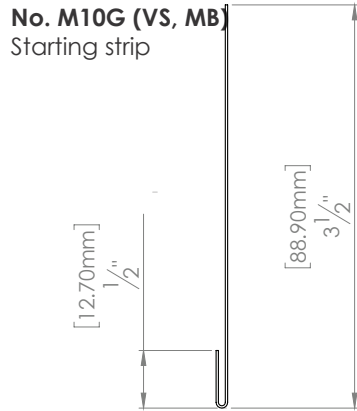
## Polymac, Versa & Metal Block Profiles

Variable = Degree or inch / mm Units = Inch and/or mm

All Trims come in a 10' length, 26 gauge

### Starting strip

The starting strip will be the first to be put in place at the beginning of the work to guide and secure the production of the project.



### J trim

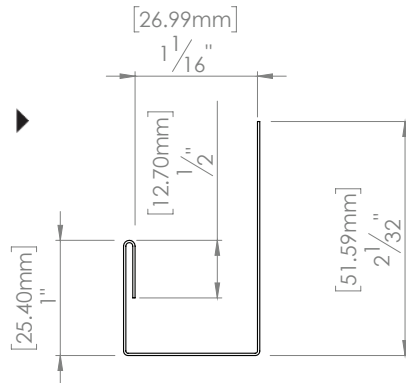
The J trim is used on the sides and bottom of any opening. Available in several forms depending on the needs of the project:

The double J trim will be used when a stronger molding is required or to fill a spacing. Note that the entire piece is colored.

The Extended J trim will be used to cover more surface as in the case of a window that is coming out of the wall.

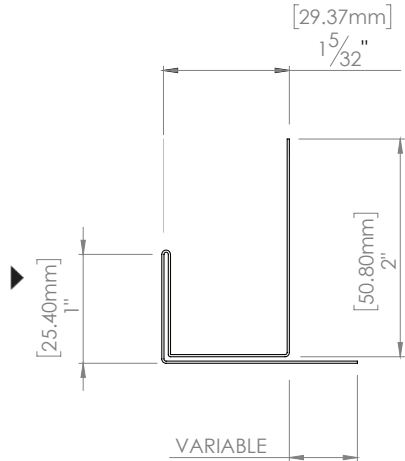
### No. M01G (POL, VS, MB)

J trim



### No. M03G (POL, VS, MB)

Extended J trim variable

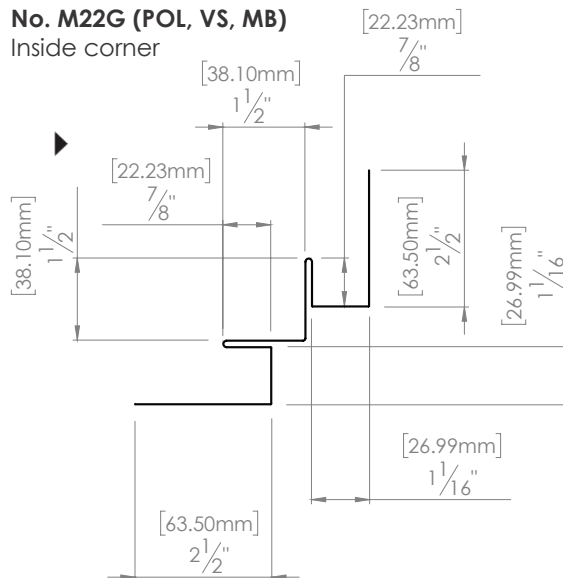


### Inside corner

The inside corner is used at the junction of two incoming walls.

### No. M22G (POL, VS, MB)

Inside corner



## Polymac, Versa & Metal Block Profiles

Variable = Degree or inch / mm Units = Inch and/or mm

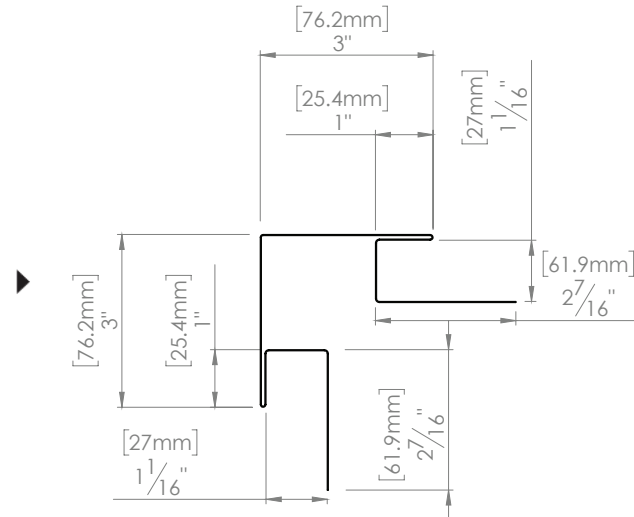
All Trims come in a 10' length, 26 gauge

### Outside corner

The outside corner is used to cover the junction of two outgoing walls.

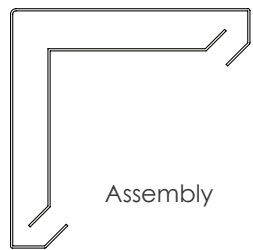
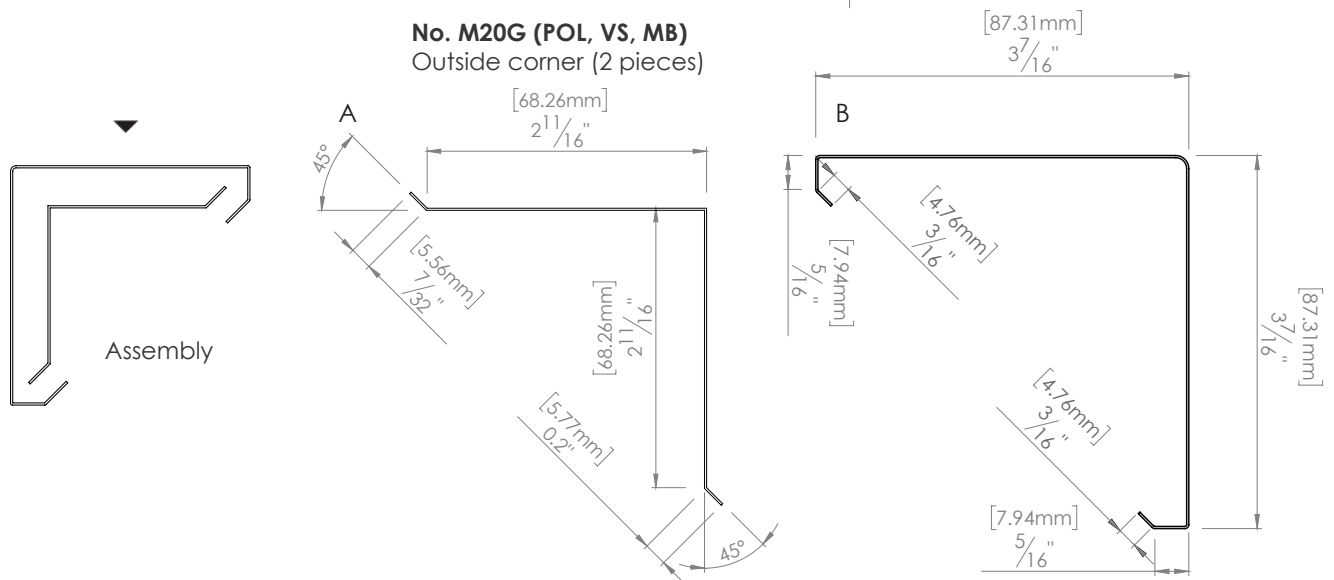
#### No. M21G (POL, VS, MB)

Outside corner w/ integrated J Trim



#### No. M20G (POL, VS, MB)

Outside corner (2 pieces)

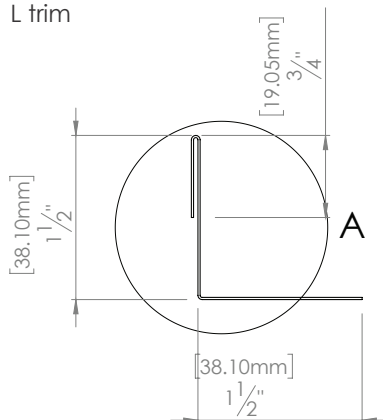


### L trim

The L trim will be used to fill a gap or to create a transition space between two sidings.

#### No. M14G (POL, VS, MB)

L trim



## Polymac, Versa & Metal Block Profiles

Variable = Degree or inch / mm Units = Inch and/or mm

All Trims come in a 10' length, 26 gauge

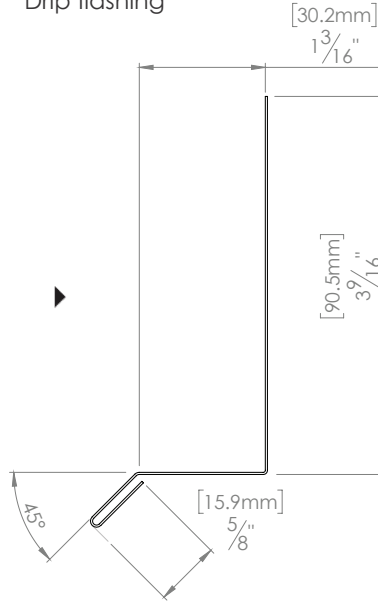
### Drip flashing

It is important to use a drip flashing over any opening to drain water.

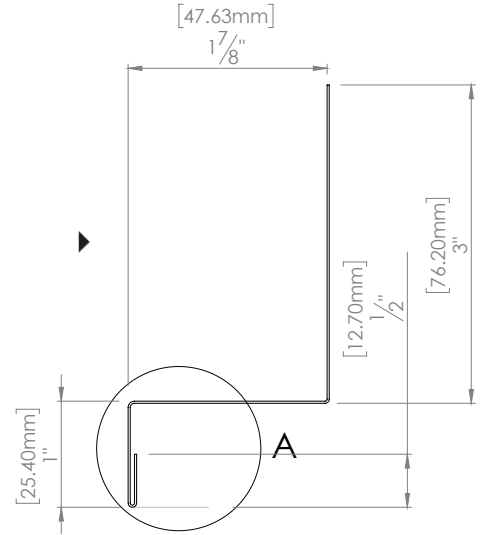
The double drip flashing will be used to fill a gap. Note that the entire piece is colored.

The extended drip flashing is chosen when a window or opening is too far towards the inside of the wall. Note that the entire piece is colored.

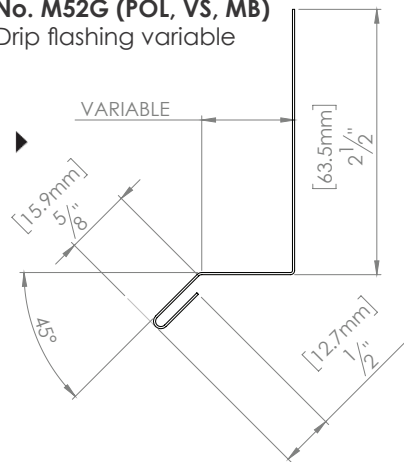
**No. M50G (POL, VS, MB)**  
Drip flashing



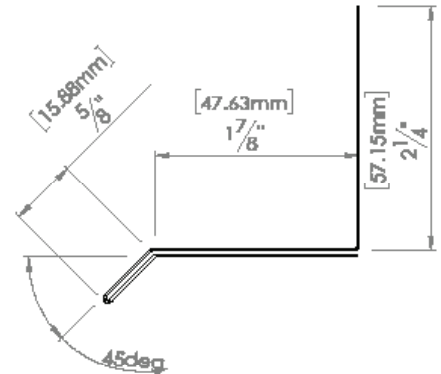
**No. M51G (POL, VS, MB)**  
Drip flashing w/ 90 degree angle



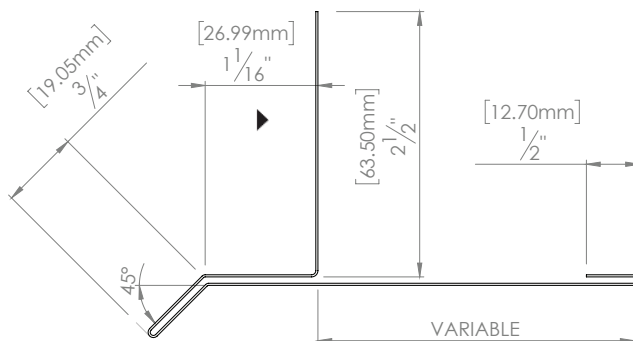
**No. M52G (POL, VS, MB)**  
Drip flashing variable



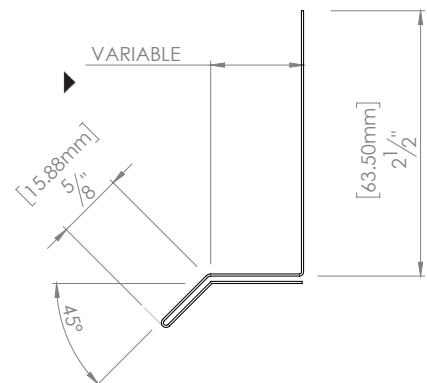
**No. M53G (POL, VS, MB)**  
Double drip flashing



**No. M56G (POL, VS, MB)**  
Extended drip flashing w/ variable



**No. M55G (POL, VS, MB)**  
Drip flashing double variable



## Polymac, Versa & Metal Block Profiles

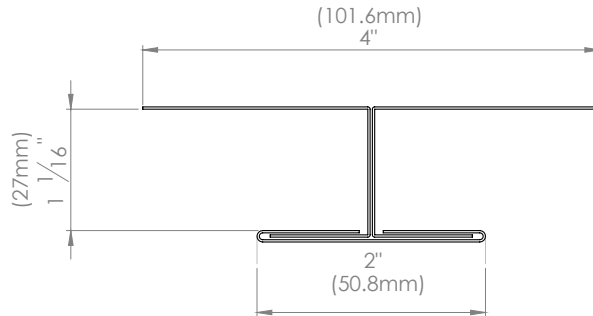
Variable = Degree or inch / mm Units = Inch and/or mm

All Trims come in a 10' length, 26 gauge

### T trim

We recommend installing T molding every 10 to 12 feet when installing the Versa profile.

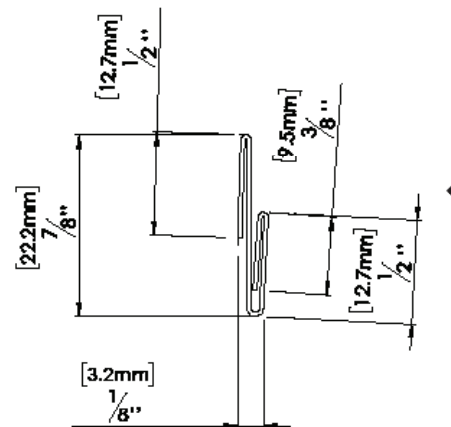
**No. M11G (POL, VS, MB)**  
T trim



### S trim clip

The S molding is recommended for horizontal installations; it acts as a bridging joint.

**No. M16G (POL, VS, MB)**  
S trim clip



## Polymac Profile

Variable = Degree or inch / mm Units = Inch and/or mm

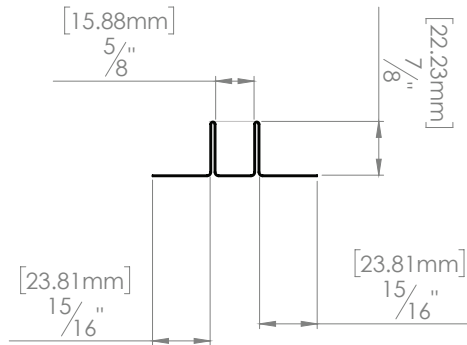
All Trims come in a 10' length, 26 gauge

### U trim or fixation trim

The U-shaped molding is the fastening molding designed for the installation of Polymac panels. It acts as a fixing support during the pre-installation of the panels.

### No. M15P (POL)

U trim or fixation trim

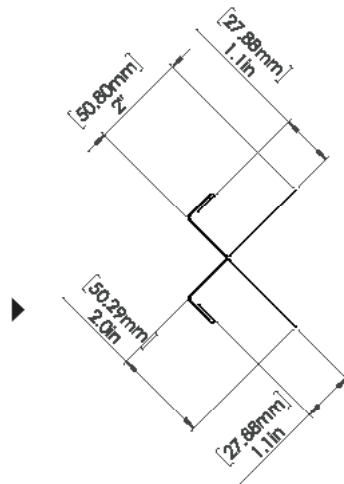


### W Trim Outside Corner

The outside corner is used to cover the junction of two outgoing walls.

### No. MXXP (POL)

W Trim Outside Corner



### J Trim (Polymac)

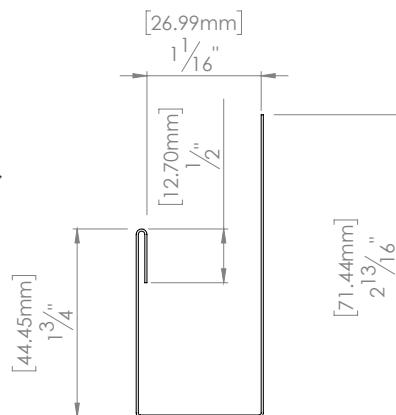
The J trim is used on the sides and bottom of any opening. Available in several forms depending on the needs of the project:

The double J trim will be used when a stronger molding is required or to fill a spacing. Note that the entire piece is colored.

The Extended J trim will be used to cover more surface as in the case of a window that is coming out of the wall.

### No. M01P (POL)

Finition J Trim



## MS 380 Corrugated Profiles

Variable = Degree or inch / mm Units = Inch and/or mm

All Trims come in a 10' length, 26 gauge

### J Trim

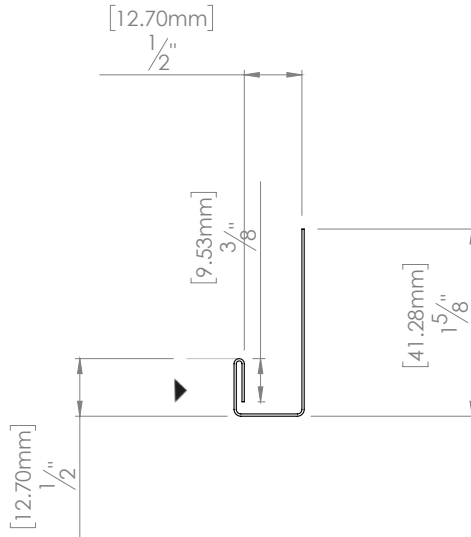
#### No. M01F (MS380)

J trim

The J trim is used on the sides and bottom of any opening. Available in several forms depending on the needs of the project:

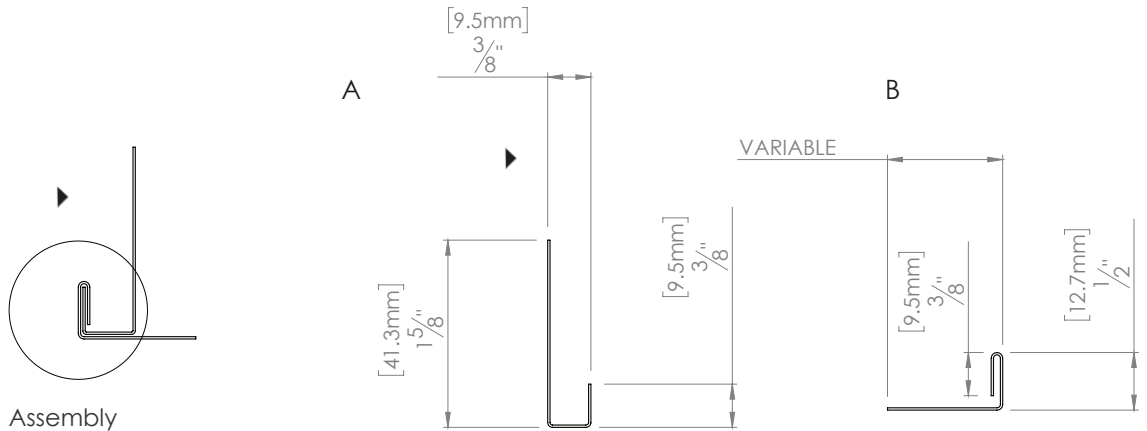
The Double J Trim will be used when a stronger molding is required or to fill a spacing. Note that the entire piece is colored.

The Extended J Trim will be used to cover more surface as in the case of a window that is coming out of the wall.



#### No. M03F (MS380)

Extended J-trim variable (2 pieces)



## MS 380 Corrugated Profiles

Variable = Degree or inch / mm Units = Inch and/or mm

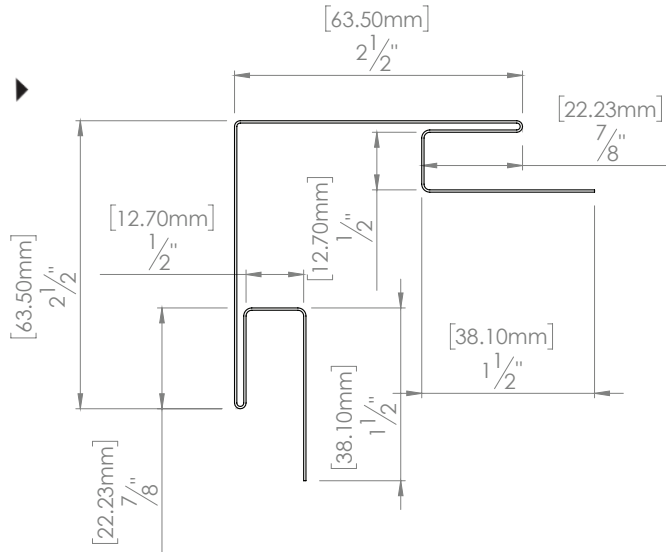
All Trims come in a 10' length, 26 gauge

### Outside corner

The outside corner is used to cover the junction of two outgoing walls.

#### No. M21F (MS380)

Outside corner w/ integrated J Trim

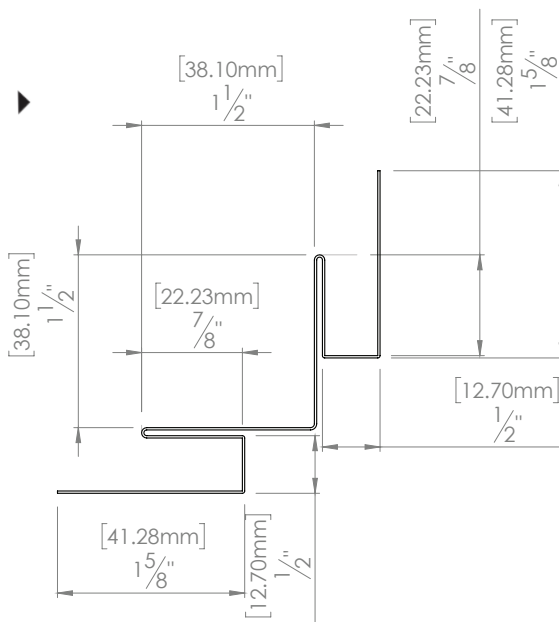


### Inside corner

The inside corner is used at the junction of two incoming walls.

#### No. M22F (MS380)

Inside corner



## MS 380 Corrugated Profiles

Variable = Degree or inch / mm Units = Inch and/or mm

All Trims come in a 10' length, 26 gauge

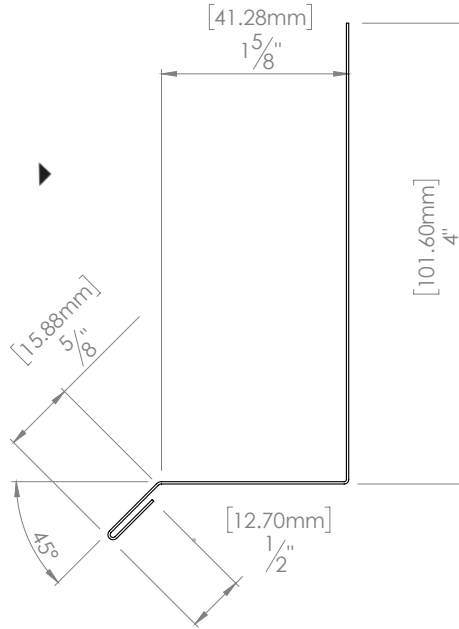
### Drip flashing

It is important to use a drip flashing over any opening to drain water.

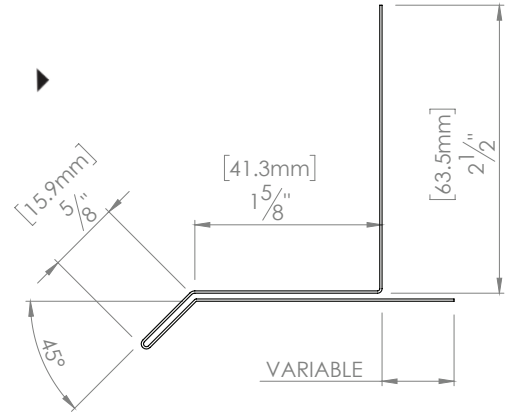
The double drip flashing will be used to fill a gap. Note that the entire piece is colored.

The extended drip flashing is chosen when a window or opening is too far towards the inside of the wall. Note that the entire piece is colored.

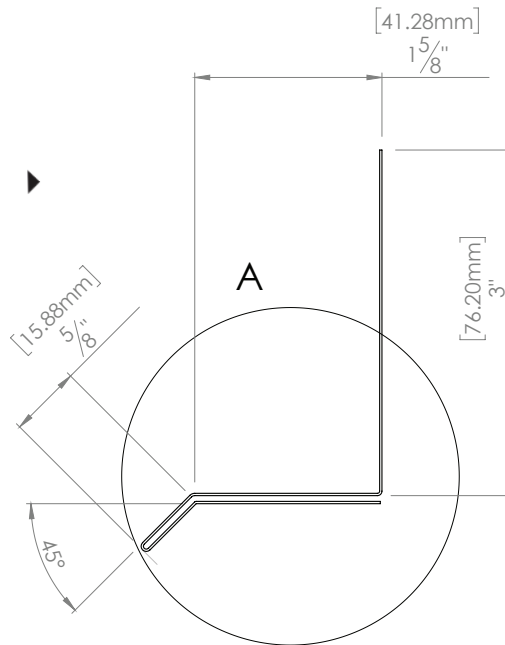
### No. M50F (MS380) Drip flashing



### No. M56F (MS380) Extended drip flashing w/ variable



### No. M53F (MS380) Double drip flashing





## MS 750 & MS 750 I Profiles

Variable = Degree or inch / mm Units = Inch and/or mm

All Trims come in a 10' length, 26 gauge

### J Trim

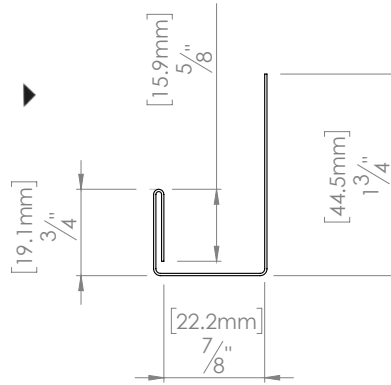
The J trim is used on the sides and bottom of any opening. Available in several forms depending on the needs of the project:

The Double J Trim will be used when a stronger molding is required or to fill a spacing. Note that the entire piece is colored.

The Extended J Trim will be used to cover more surface as in the case of a window that is coming out of the wall.

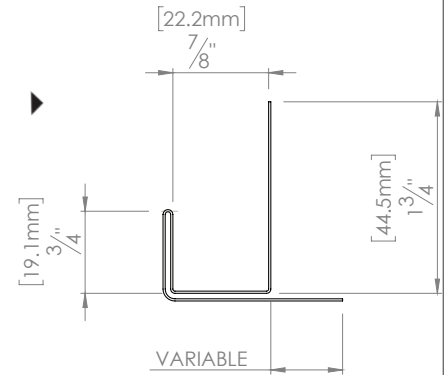
### No. M01E (MS750 & 750I)

J Trim



### No. M03E (MS750 & 750I)

Extended J Trim w/variable

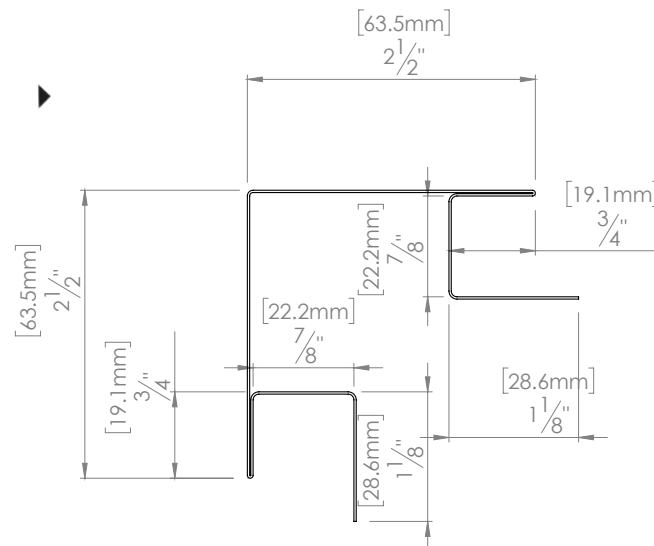


### Outside corner

The outside corner is used to cover the junction of two outgoing walls.

### No. M21E (MS750 & 750I)

Outside corner w/ integrated J Trim



## MS 750 & MS 750 I Profiles

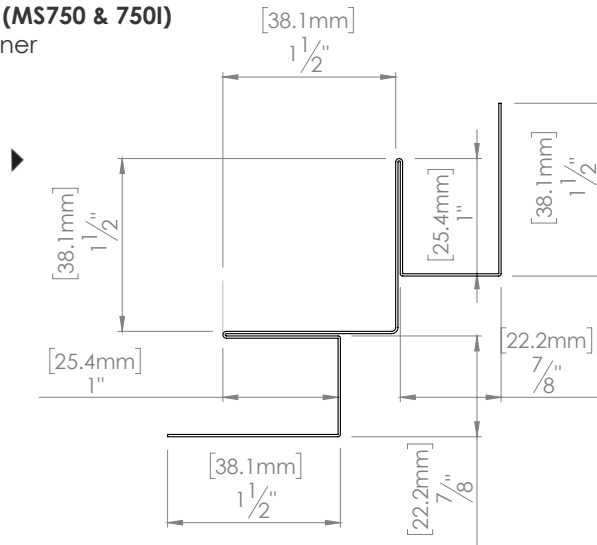
Variable = Degree or inch / mm Units = Inch and/or mm

All Trims come in a 10' length, 26 gauge

### Inside corner

The inside corner is used at the junction of two incoming walls

**No. M22E (MS750 & 750I)**  
Inside corner



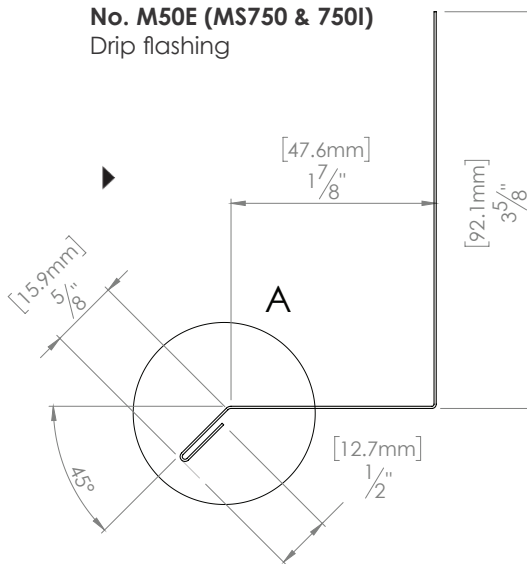
### Drip flashing

It is important to use a drip flashing over any opening to drain water.

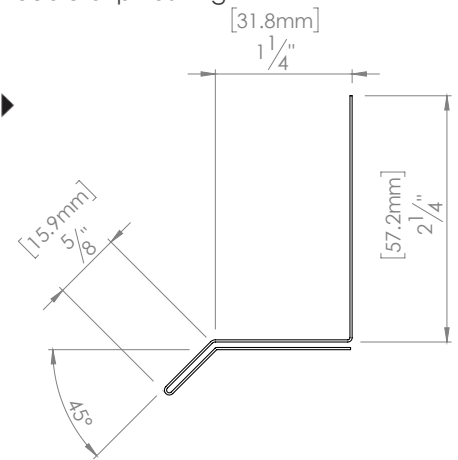
The double drip flashing will be used to fill a gap. Note that the entire piece is colored.

The extended drip flashing is chosen when a window or opening is too far towards the inside of the wall. Note that the entire piece is colored.

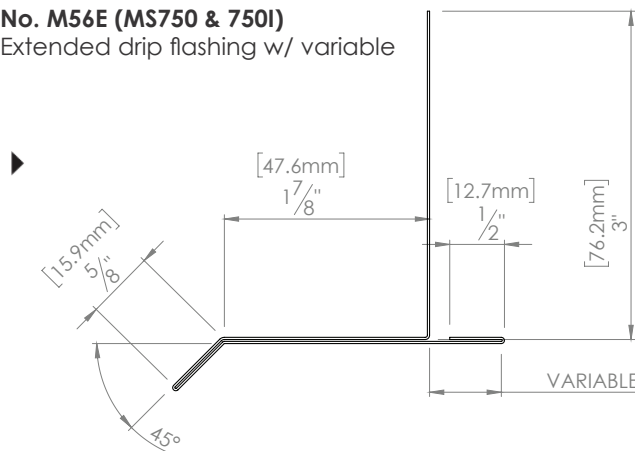
**No. M50E (MS750 & 750I)**  
Drip flashing



**No. M53E (MS750 & 750I)**  
Double drip flashing



**No. M56E (MS750 & 750I)**  
Extended drip flashing w/ variable



## Board & Batten & Reverse Board & Batten Profiles

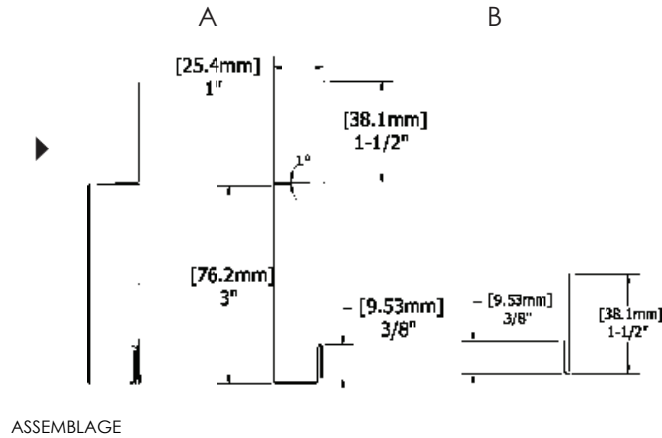
Variable = Degree or inch / mm Units = Inch and/or mm

All Trims come in a 10' length, 26 gauge

### Starting strip

The starting strip will be the first to be put in place at the beginning of the work to guide and secure the production of the project.

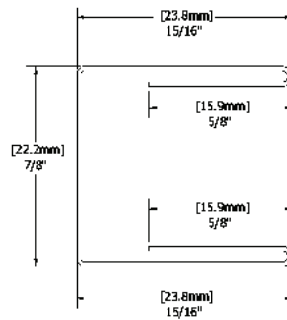
### No. M17H (BB & RBB) Bricks transition trim / Starter strip 3'' (2 parts)



### Batten trim filler

The finishing strip acts as a filler inside the molding. Ideal when the "batten" of the sheets do not end inside a molding. They will then come to fill the gap by giving the impression of a batten for a perfect finish.

### No. M06H (BB & RBB) Batten trim filler



## Board & Batten & Reverse Board & Batten Profiles

Variable = Degree or inch / mm Units = Inch and/or mm

All Trims come in a 10' length, 26 gauge

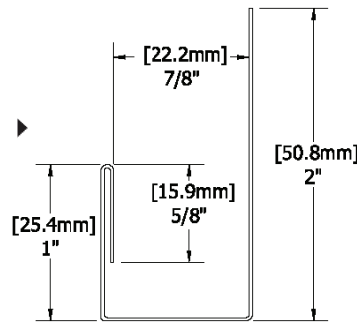
### J Trim

The J trim is used on the sides and bottom of any opening. Available in several forms depending on the needs of the project:

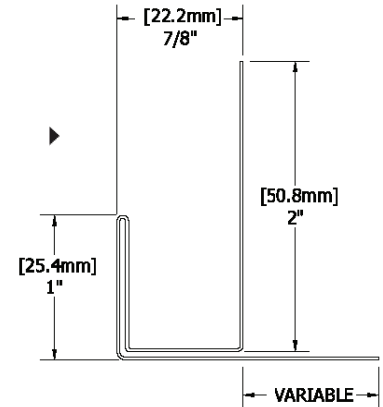
The Double J Trim will be used when a stronger molding is required or to fill a spacing. Note that the entire piece is colored.

The Extended J Trim will be used to cover more surface as in the case of a window that is coming out of the wall.

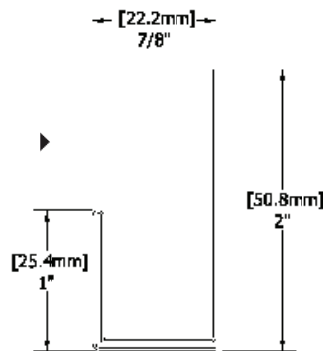
**No. M01H (BB & RBB)**  
J trim 1 in



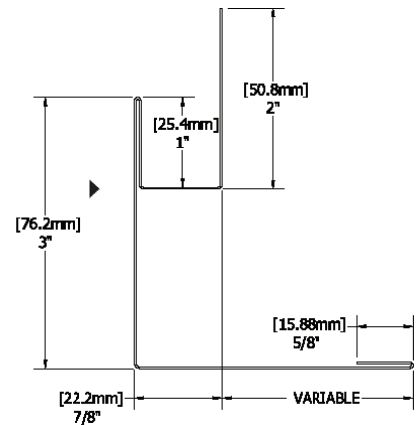
**No. M03H (BB & RBB)**  
Extended J Trim 1 in w/var



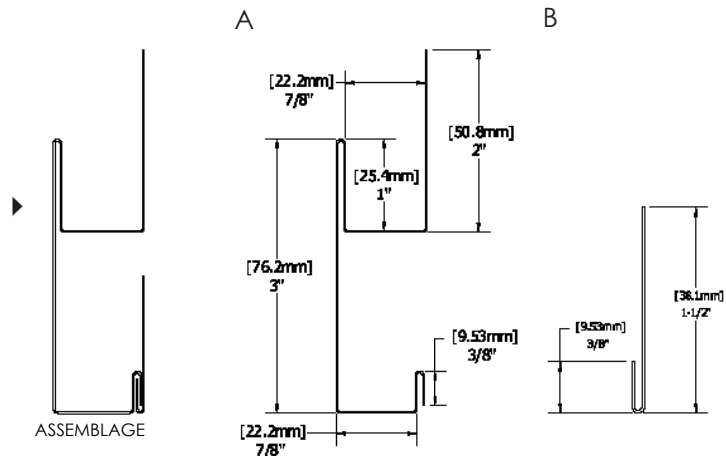
**No. M02H (BB & RBB)**  
Double J trim 1 in



**No. M05H (BB & RBB)**  
Extended J Trim 3 in w/var



**No. M04H (BB & RBB)**  
J trim 3 in (2 pieces)



## Board & Batten & Reverse Board & Batten Profiles

Variable = Degree or inch / mm Units = Inch and/or mm

All Trims come in a 10' length, 26 gauge

### Drip flashing

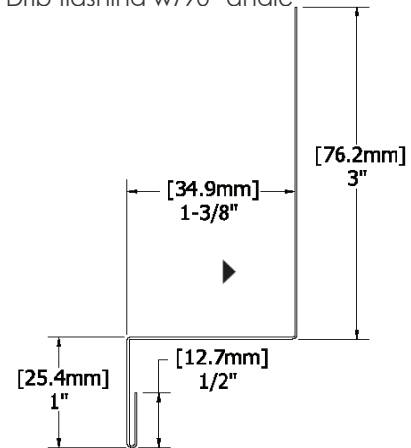
It is important to use a drip flashing over any opening to drain water.

The double drip flashing will be used to fill a gap. Note that the entire piece is colored.

The extended drip flashing is chosen when a window or opening is too far towards the inside of the wall. Note that the entire piece is colored.

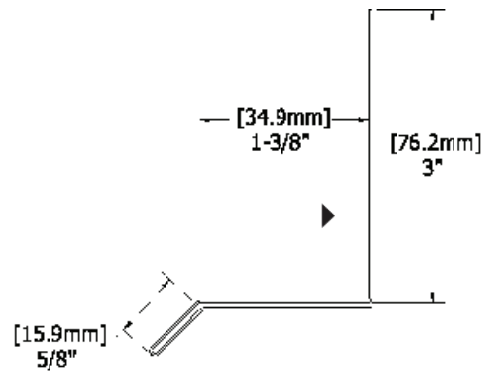
### No. M51H.A (BB & RBB)

Drip flashina w/90° anale



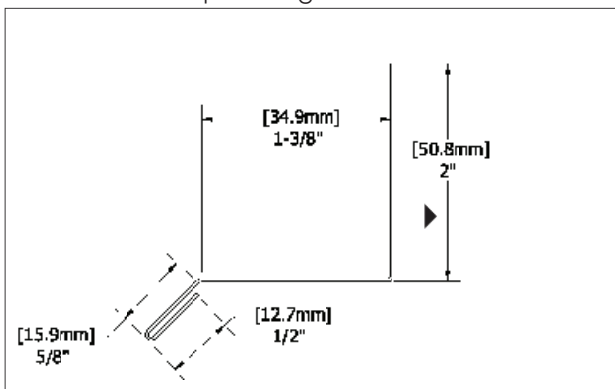
### No. M53H.A (BB & RBB)

Double drip flashing



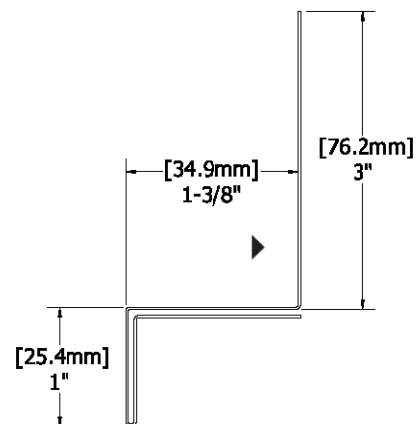
### No. M50H.A (BB & RBB)

Drip flashing



### No. M54H.A (BB & RBB)

Double drip flashing w/90 degrees angle



## Board & Batten & Reverse Board & Batten Profiles

Variable = Degree or inch / mm Units = Inch and/or mm

All Trims come in a 10' length, 26 gauge

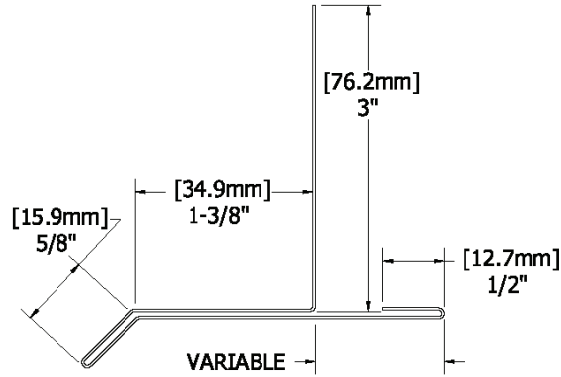
### Drip flashing

It is important to use a drip flashing over any opening to drain water.

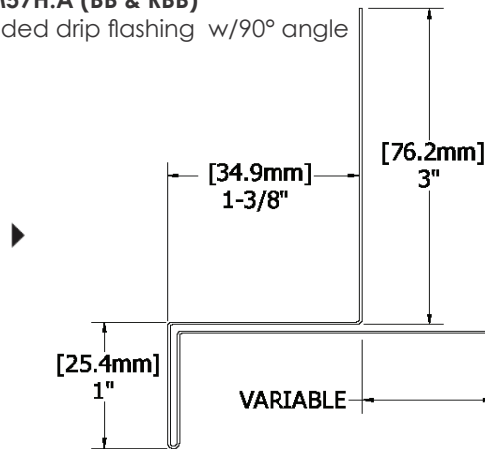
The double drip flashing will be used to fill a gap. Note that the entire piece is colored.

The extended drip flashing is chosen when a window or opening is too far towards the inside of the wall. Note that the entire piece is colored.

**No. M56H.A (BB & RBB)**  
Extended drip flashing w/var



**No. M57H.A (BB & RBB)**  
Extended drip flashing w/90° angle

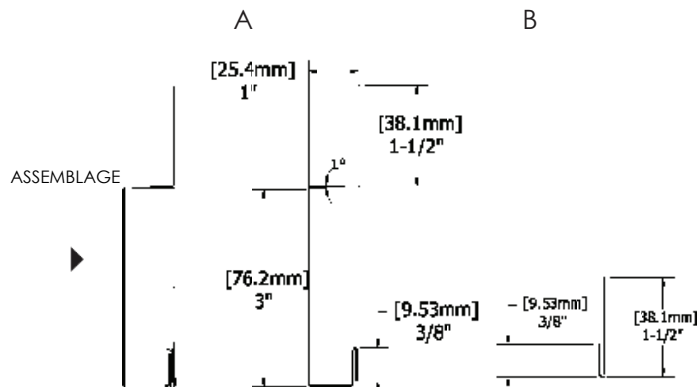


### Transition trim

Used to create a transition between two sidings, to create a junction during the installation of a large surface of the same siding, or to mark the change between two materials.

The horizontal transition molding can also be used as a floor slump.

**No. M17H (BB & RBB)**  
Bricks transition trim / Starter strip 3'' (2 parts)



## Board & Batten & Reverse Board & Batten Profiles

Variable = Degree or inch / mm Units = Inch and/or mm

All Trims come in a 10' length, 26 gauge

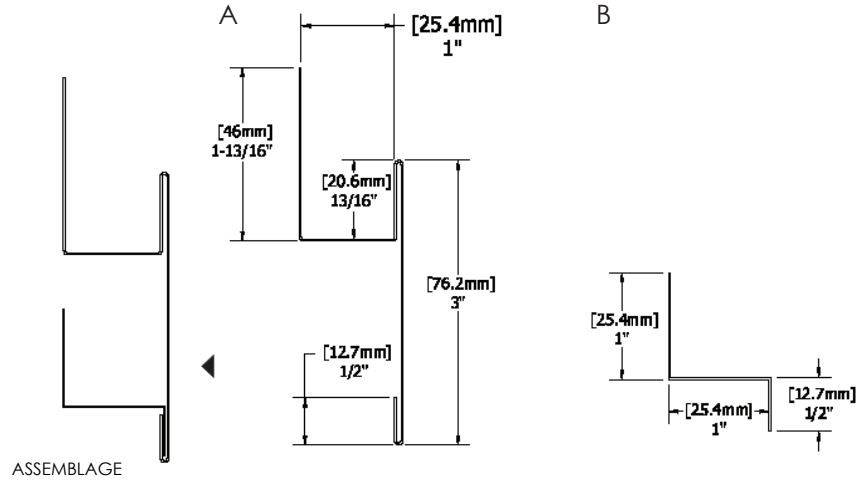
### Transition trim

Used to create a transition between two sidings, to create a junction during the installation of a large surface of the same siding, or to mark the change between two materials.

The horizontal transition molding can also be used as a floor slump.

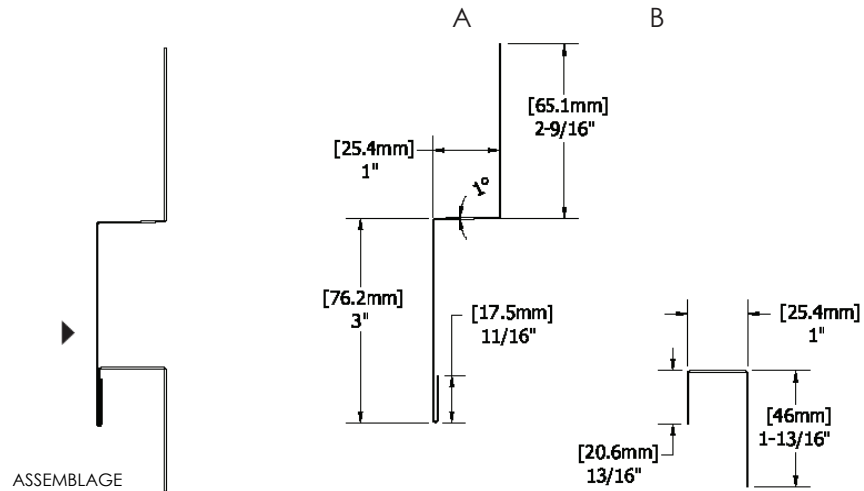
#### No. M12H (BB & RBB)

Vertical transition trim (2 pieces)



#### No. M13H (BB & RBB)

Horizontal transition trim (2 pieces)



## Board & Batten & Reverse Board & Batten Profiles

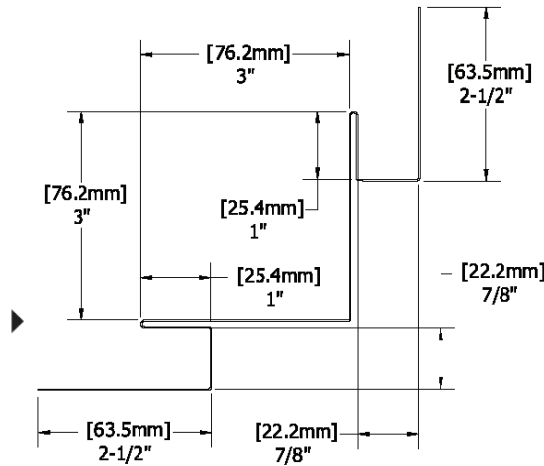
Variable = Degree or inch / mm Units = Inch and/or mm

All Trims come in a 10' length, 26 gauge

### Inside corner

#### No. M22H (BB & RBB) Inside Corner

The inside corner is used at the junction of two incoming walls.



### Outside corner

#### No. M21H (BB & RBB) Outside corner w/ integrated J Trim

The outside corner is used to cover the junction of two outgoing walls.

