



Trims & Molding

SIDING & ROOFING

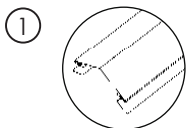
5975 chemin de la Savane, Saint-Hubert, QC J3Y 0X1
T. 450 464-5486 | F. 450 464-4538
MACmetalarchitectural.com
info@macmetalarchitectural.com

MAC
METAL ARCHITECTURAL

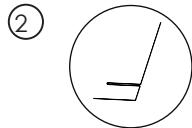
Molding & Flashing

Layout of the moldings

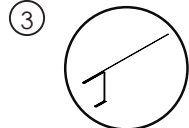
The suggested dispositions will apply to all profiles



Ridge cap



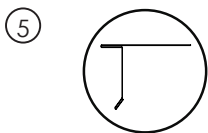
Wall / roof w/ variable angle junction



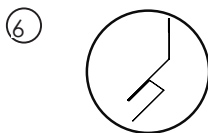
Roof flashing with variable angle



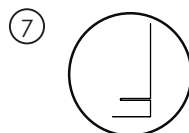
Valley & fixing bracket



Roof flashing with variable angle



Roof junction flashing (slope change) convex



Wall / roof with 90 degree angle junction

MS 1, MS 1 Modular, MS 2 & MS Authentic Profiles

Variable = Degree or Inch / mm Units = inch and/or mm

All Trims come in a 10' length, 26 gauge

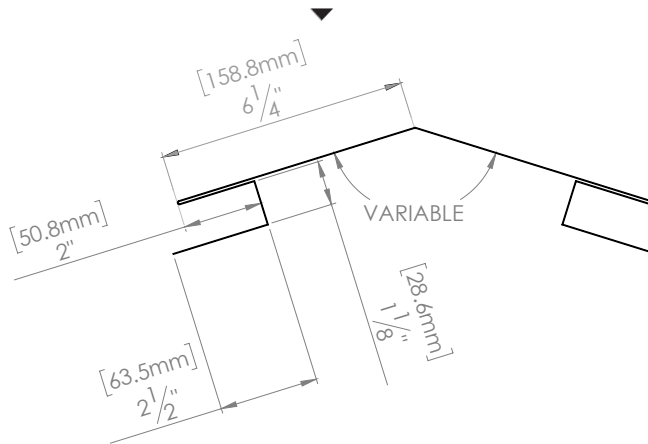
Ridge Cap (roof installation)

The ridge is applied to the junction of two outgoing roofs.

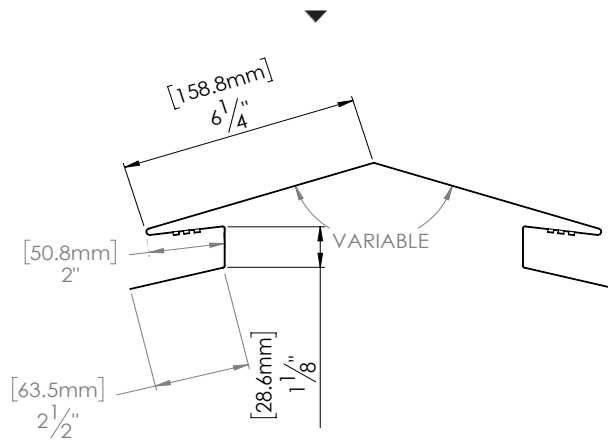
The ventilated ridge is mainly used in the application of cathedral roofs.

* Note that it is possible to make a connection between the vented and the non-ventilated mill on the site (however, the work must be executed by the installer).

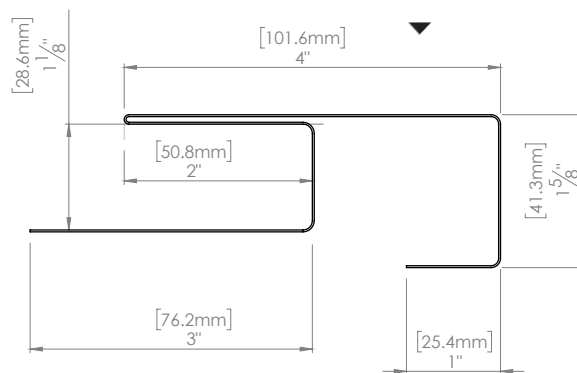
No. M31A (MS1, MOD, 2, AUT) Non-vented ridge cap



No. M30A (MS1, MOD, 2, AUT) Vented ridge cap



No. M32A (MS1, MOD, 2, AUT) Single slope ridge cap



MS 1, MS 1 Modular, MS 2 & MS Authentic Profiles

Variable = Degree or inch / mm Units = Inch and/or mm

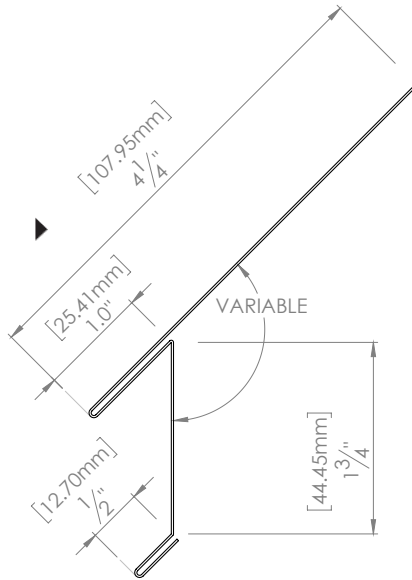
All Trims come in a 10' length, 26 gauge

Roof flashing straight or with angle (roofing installation)

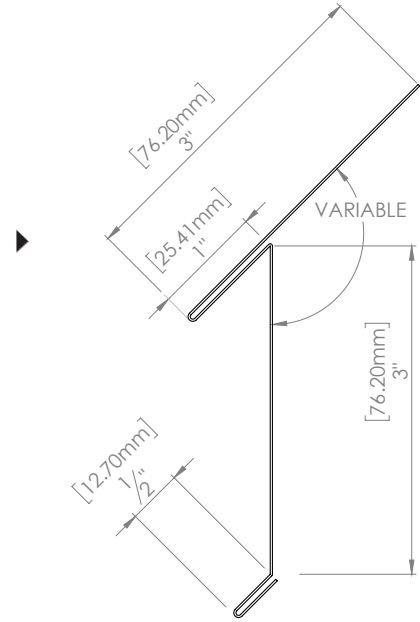
Roof flashing is the starting molding that must be installed over the entire perimeter of the roof. It is available straight or with a variable angle.

* Note that you must provide the required angle for the option marked VARIABLE.

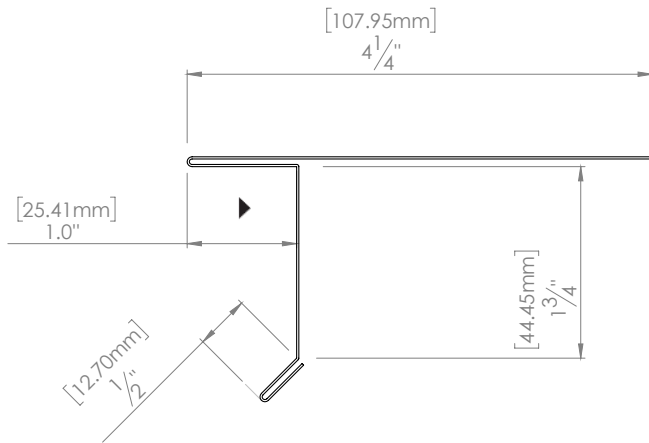
No. M59AB.1.75 (MS1, MOD, 2, AUT & 3, 4)
Roof flashing w/variable angle - 1.75''



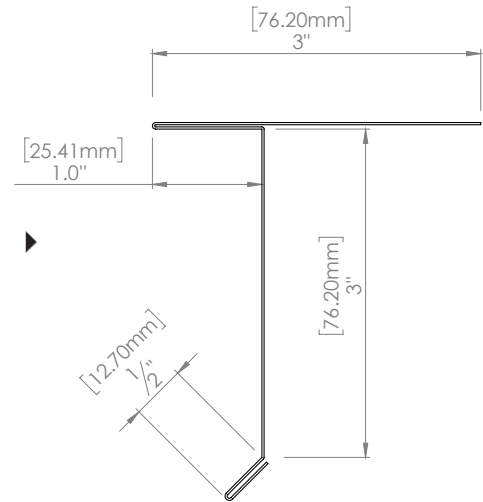
No. M59AB.3 (MS1, MOD, 2, AUT & 3, 4)
Roof flashing w/variable angle - 3''



No. M58AB.1.75 (MS1, MOD, 2, AUT & 3, 4)
Roof flashing w/90 degree angle - 1.75''



No. M58AB.3 (MS1, MOD, 2, AUT & 3, 4)
Roof flashing w/90 degree angle - 3''



MS 1, MS 1 Modular, MS 2 & MS Authentic Profiles

Variable = Degree or Inch / mm Units = inch and/or mm

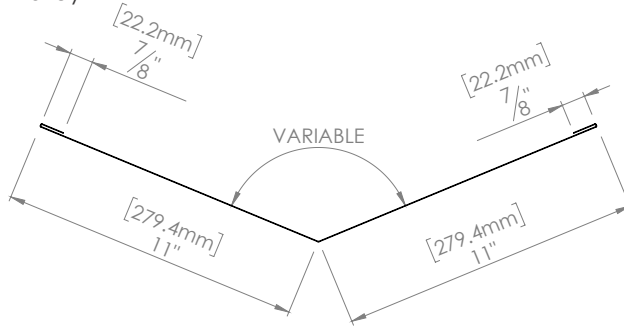
All Trims come in a 10' length, 26 gauge

Valley
(roofing installation)

The valley is a molding used when meeting an inner roof junction.

No. M80AB (MS1, MOD, 2, AUT & 3, 4)

Valley

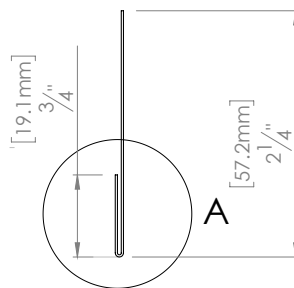


Fixing bracket
(roofing installation)

The brackets are used to secure the valleys in place.

No. M70AB (MS1, MOD, 2, AUT & 3, 4)

Fixing bracket

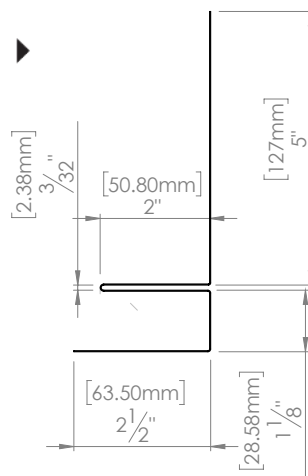


Junction roof / wall
(roofing installation)

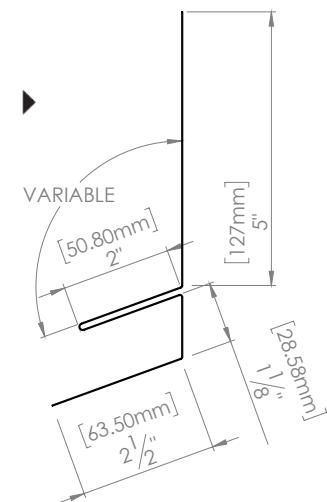
The wall / roof junction molding is used when you have a roof that comes in or dies in a wall. It is available in two versions, either 90 degree or variable.

* Note that you must provide the required angle for the option marked VARIABLE.

No. M40A (MS1, MOD, 2, AUT)
Wall / roof w/90 degree angle junction



No. M41A (MS1, MOD, 2, AUT)
Wall / roof w/variable angle junction



MS 1, MS 1 Modular, MS 2 & MS Authentic Profiles

Variable = Degree or inch / mm Units = Inch and/or mm

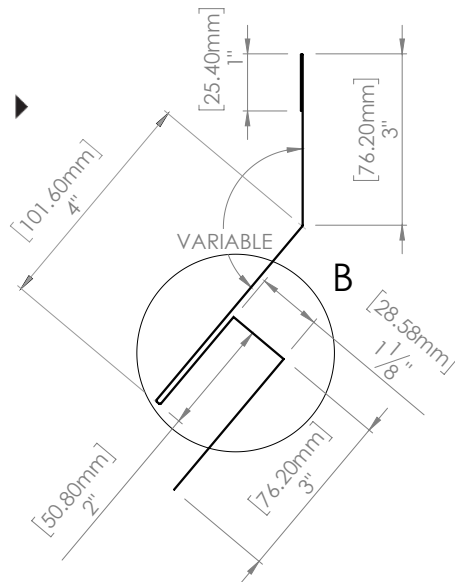
All Trims come in a 10' length, 26 gauge

Roof junction flashing (roof & wall installation)

The wall/roof junction moulding is used when a roof dies in a wall. It is offered in two versions, either at a 90° angle or variable.

*Note that you must provide the required degree for the variable option

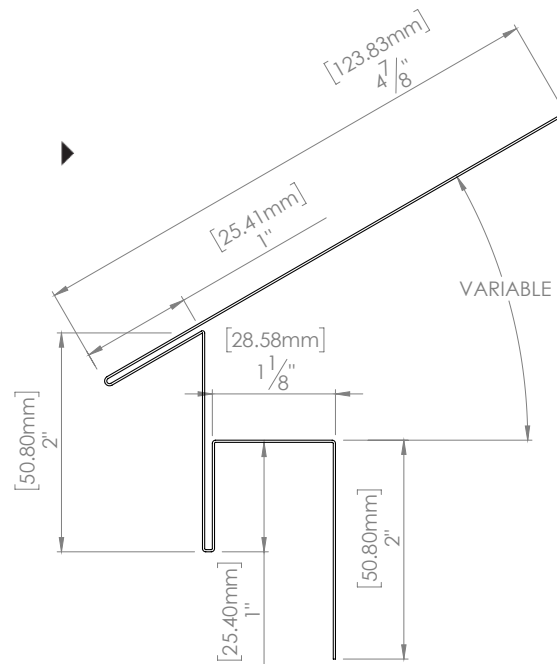
No. M61A (MS1, MOD, 2, AUT) Roof junction flashing (slope change) convex



Junction flashing (roof & wall installation)

The transition flashing should be used when a project incorporates large cornices that are 2 inches high and covered with a siding.

No. M60A (MS1, MOD, 2, AUT) Roof junction flashing (slope change) concave



MS 1, MS 1 Modular, MS 2 & MS Authentic Profiles

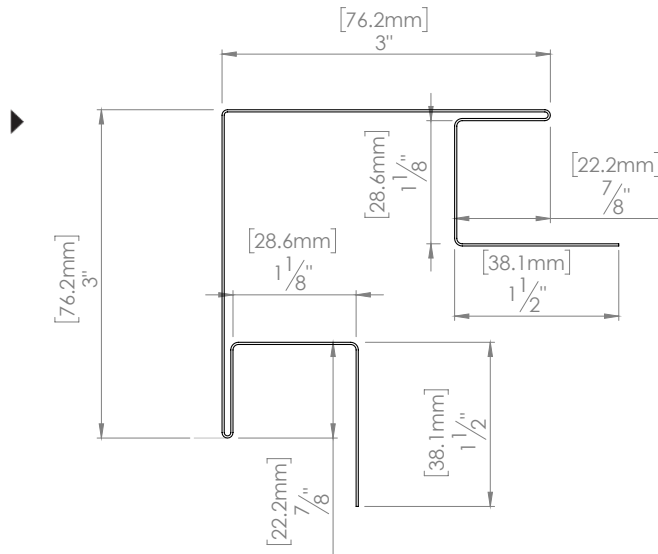
Variable = Degree or Inch / mm Units = inch and/or mm

All Trims come in a 10' length, 26 gauge

Outside corner (wall installation)

The outer corner is used to cover the junction of two outgoing walls.

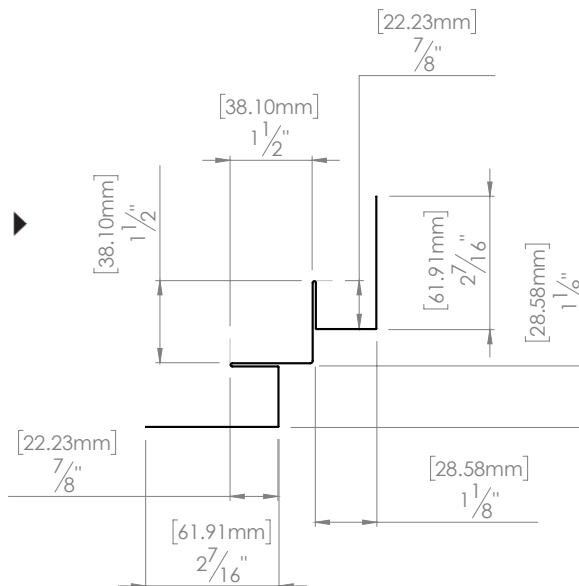
No. M21A (MS1, MOD, 2, AUT) Outside corner w/ integrated J trim



Inside corner (wall installation)

The inner corner is used at the junction of two incoming walls.

No. M22A (MS1, MOD, 2, AUT) Inside corner



MS 1, MS 1 Modular, MS 2 & MS Authentic Profiles

Variable = Degree or inch / mm Units = Inch and/or mm

All Trims come in a 10' length, 26 gauge

J trim (wall installation)

The J or J trim is used on the sides and bottom of any opening. Available in several forms depending on the needs of the project:

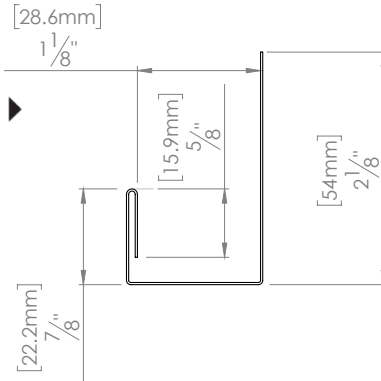
The Double J trim is used when a stronger molding is required or to fill a spacing.

* Note that the entire piece is colored.

The Extended J trim variable will be used to cover more surface as in the case of a window that came out of the wall.

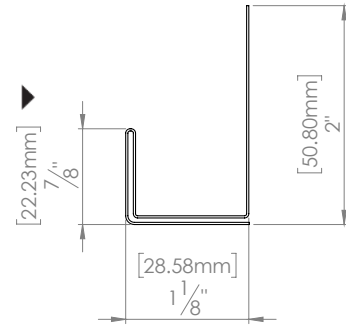
No. M01A (MS1, MOD, 2, AUT)

J trim



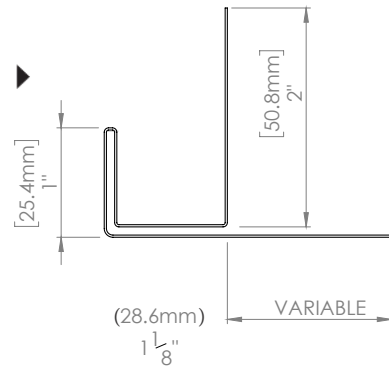
No. M02A (MS1, MOD, 2, AUT)

Double J trim



No. M03A (MS1, MOD, 2, AUT)

Extended J trim variable



Drip flashing (wall installation)

It is important to use a drip flashing over any opening to ensure water drainage.

The double drip flashing will be used when a stiffer molding is required or to fill a spacing.

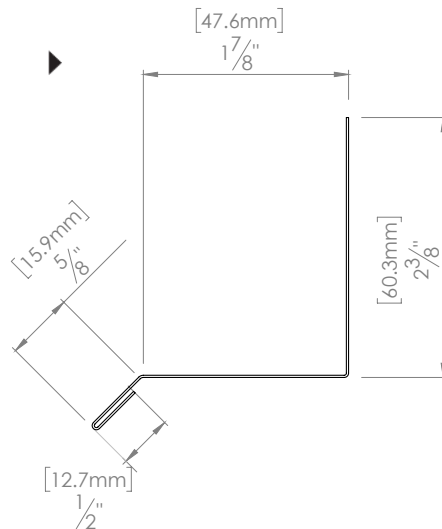
* Note that the entire piece is colored.

The Extended drip flashing is chosen when a window or opening is too much inward toward the wall.

* Note that the entire piece is colored.

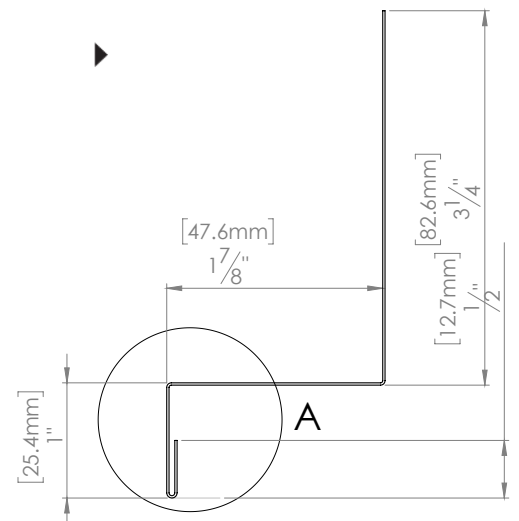
No. M51A (MS1, MOD, 2, AUT)

Simple drip flashing



No. M50A (MS1, MOD, 2, AUT)

Drip flashing w/ 90 degree angle



MS 1, MS 1 Modular, MS 2 & MS Authentic Profiles

Variable = Degree or Inch / mm Units = inch and/or mm

All Trims come in a 10' length, 26 gauge

Drip flashing (wall installation)

It is important to use a drip flashing over any opening to ensure water drainage.

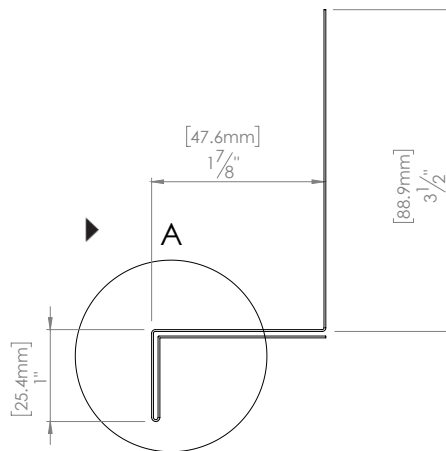
The double drip flashing will be used when a stiffer molding is required or to fill a spacing.

* Note that the entire piece is colored.

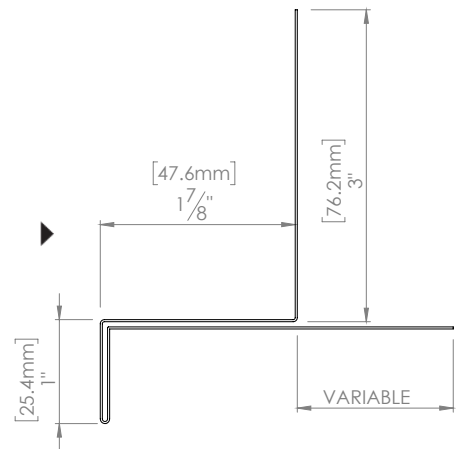
The Extended drip flashing is chosen when a window or opening is too much inward toward the wall.

* Note that the entire piece is colored.

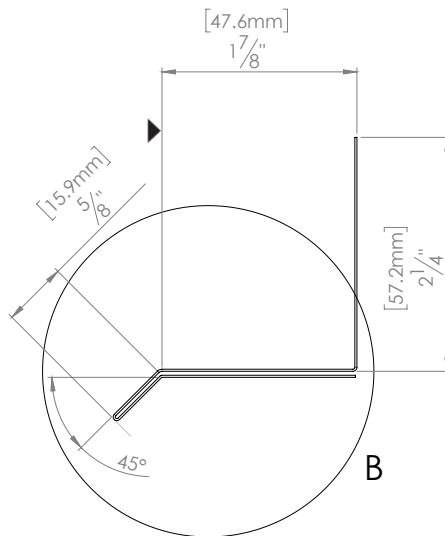
No. M54A (MS1, MOD, 2, AUT)
Double drip flashing w/90 degree angle



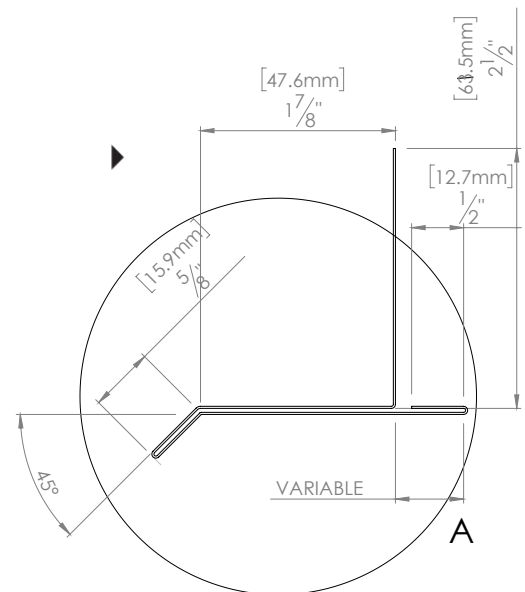
No. M57A (MS1, MOD, 2, AUT)
Extended drip flashing variable w/90 degree angle



No. M53A (MS1, MOD, 2, AUT)
Double drip flashing



No. M56A (MS1, MOD, 2, AUT)
Extended drip flashing w/ variable



MS 3 & MS 4 Profiles

Variable = Degree or inch / mm Units = Inch and/or mm

All Trims come in a 10' length, 26 gauge

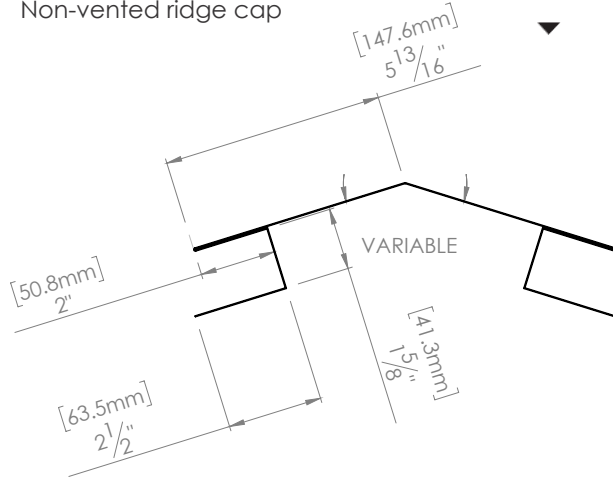
Ridge Cap (roof installation)

The ridge is applied to the junction of two outgoing roofs.

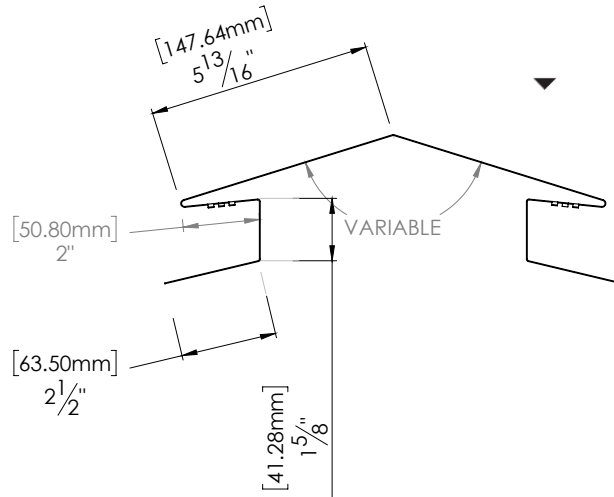
The ventilated ridge is mainly used in the application of cathedral roof.

* Note that it is possible to make a connection between the vented and the non-ventilated mill on the site (the work must however be executed by the installer).

No. M31B Non-vented ridge cap



No. M30B Vented ridge cap



MS 3 & MS 4 Profiles

Variable = Degree or Inch / mm Units = inch and/or mm

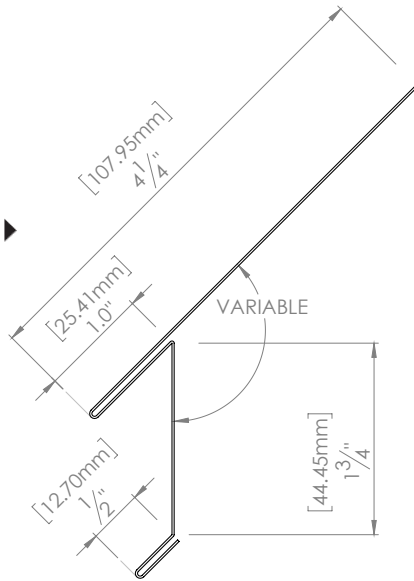
All Trims come in a 10' length, 26 gauge

Roof flashing straight or with angle (roofing installation)

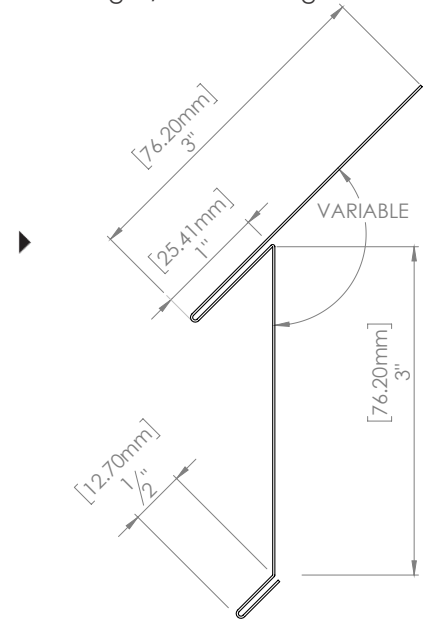
Roof flashing is the starting molding that must be installed over the entire perimeter of the roof. It is available straight or variable angle.

* Note that you must provide the required angle for the option marked VARIABLE.

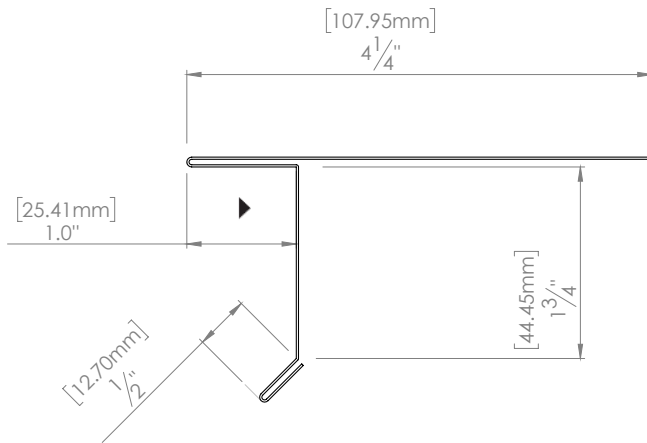
No. M59AB .1.75 (MS1, MOD, 2, AUT & 3, 4)
Roof flashing w/ variable angle -1.75''



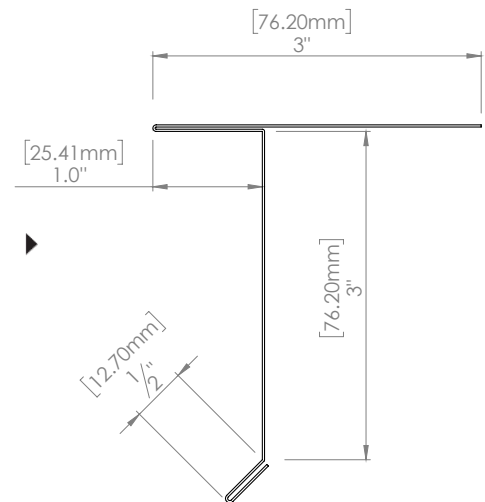
No. M59AB.3 (MS1, MOD, 2, AUT & 3, 4)
Roof flashing w/ variable angle -3''



No. M58AB .1.75 (MS1, MOD, 2, AUT & 3, 4)
Roof flashing w/ 90 degree angle - 1.75''



No. M58AB.3 (MS1, MOD, 2, AUT & 3, 4)
Roof flashing w/ 90 degree angle - 3''



MS 3 & MS 4 Profile

Variable = Degree or inch / mm Units = Inch and/or mm

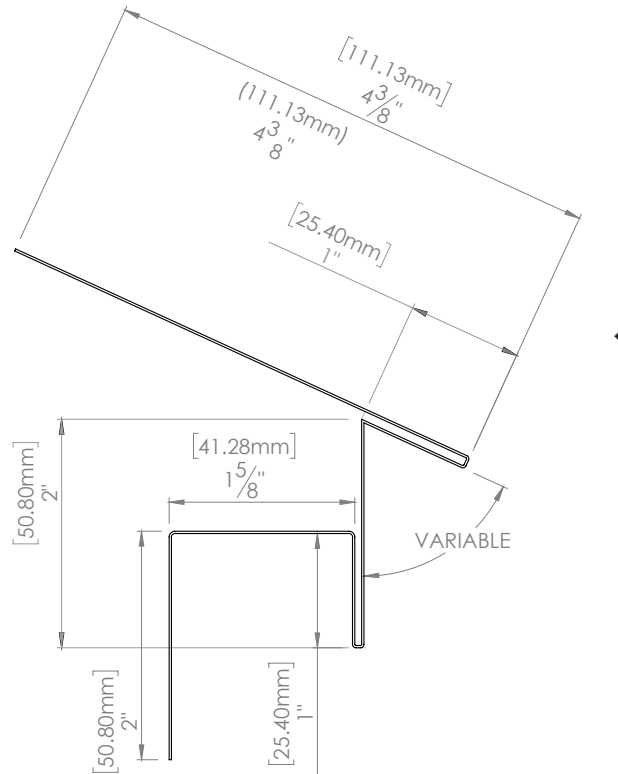
All Trims come in a 10' length, 26 gauge

Junction wall / roof (wall installation)

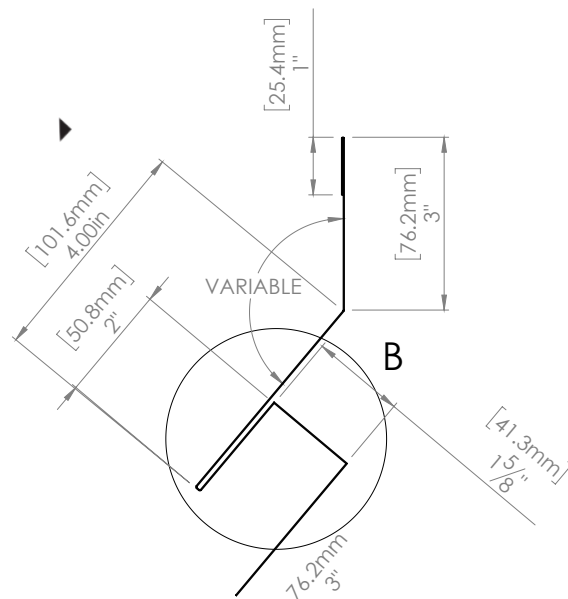
The wall / roof junction molding is used when you have a roof that comes in or dies in a wall. It is available in two versions, either 90 degree or variable.

* Note that you must provide the required angle for the option marked VARIABLE.

No. M60B
Roof junction flashing
(slope change) concave



No. M61B
Roof junction flashing
(slope change) convex



MS 3 & MS 4 Profiles

Variable = Degree or Inch / mm Units = inch and/or mm

All Trims come in a 10' length, 26 gauge

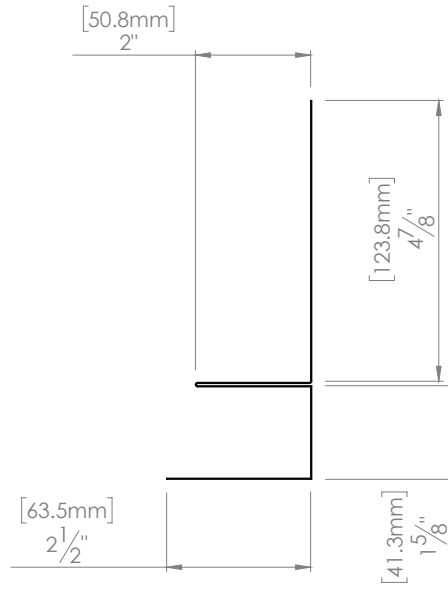
Junction roof / wall (roofing installation)

The wall / roof junction molding is used when you have a roof that comes in or dies in a wall. It is available in two versions, either 90 ° or variable.

* Note that you must provide the required angle for the option marked VARIABLE.

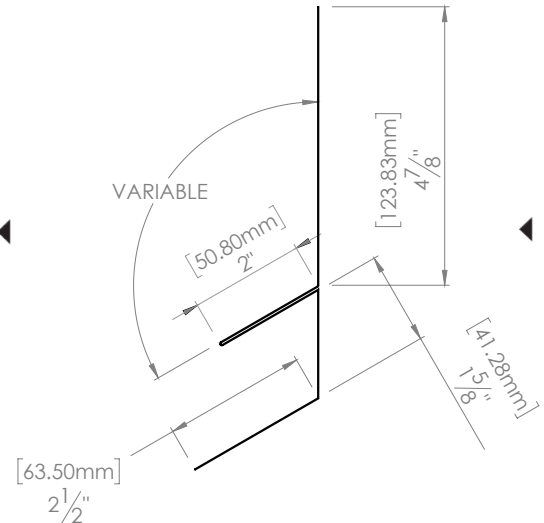
No. M40B

Wall / roof w/ 90 degree angle junction



No. M41B

Wall / roof w/ variable angle junction

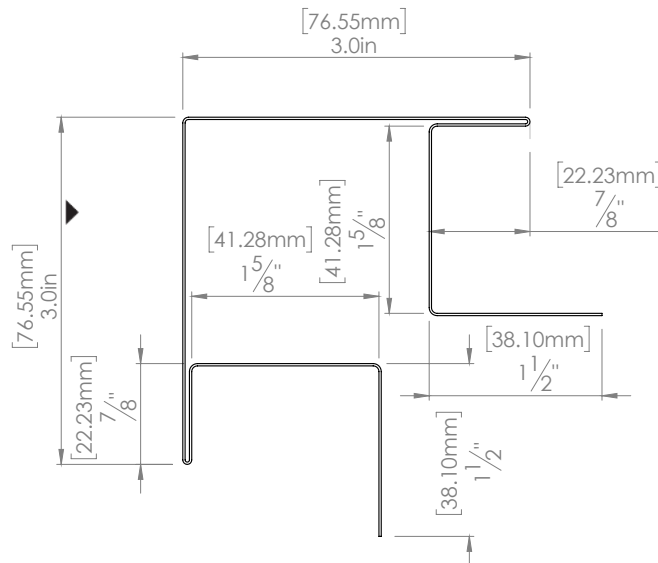


Outside corner (wall installation)

The outer corner is used to cover the junction of two outgoing walls.

No. M21B

Outside corner w/ integrated J trim



MS 3 & MS 4 Profiles

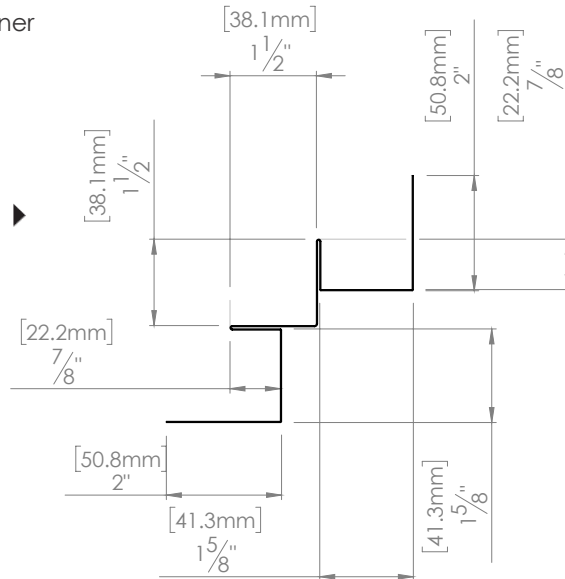
Variable = Degree or inch / mm Units = Inch and/or mm

All Trims come in a 10' length, 26 gauge

Inside corner (wall installation)

The inner corner is used for at the junction of two incoming walls.

No. M22B Inside corner



J Trim (wall installation)

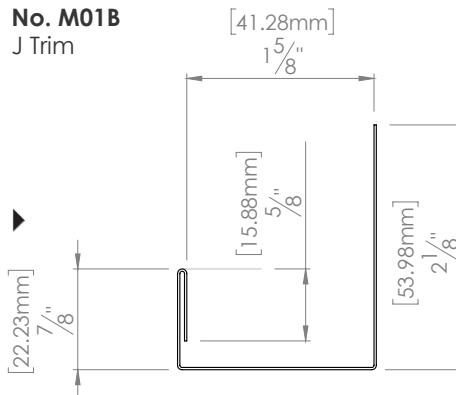
The J or J trim is used on the sides and bottom of any opening. Available in several forms depending on the needs of the project:

The Double J Trim will be used when a stronger molding is required or to fill a spacing.

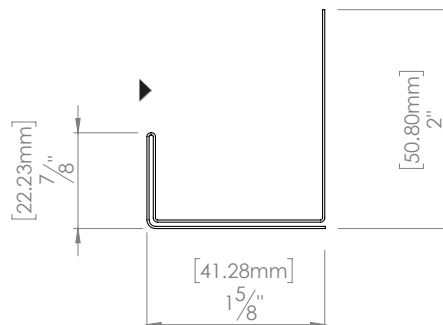
* Note that the entire piece is colored.

The J Trim palette will be used to cover more surface as in the case of a window that came out of the wall.

No. M01B J Trim



No. M02B Double J Trim



No. M03B Extended J Trim

