

The logo for MAC Metal Architectural, featuring the letters 'MAC' in a large, bold, black serif font.

METAL ARCHITECTURAL

Installation Guide

THE  
FARMHOUSE SERIE

BOARD AND BATTEN  
&  
REVERSE BOARD AND BATTEN



## ATTENTION

The material may contain sharp edges. For this reason we strongly recommend that you wear the proper protective equipment, safety boots, helmet, safety glasses and gloves.



## WARRANTY

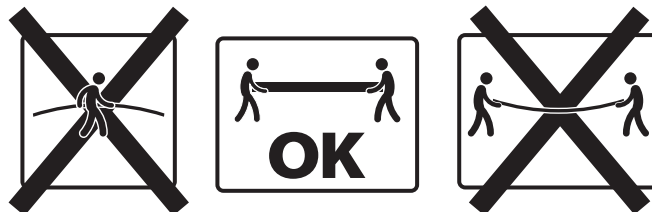
The installation must be done in accordance with the standards established by the building code in place and with the manufacturer's recommendations in order for the warranty to apply. In the event that a problem occurs during the installation of the profiles, it is important to notify the distributor before 180 square feet (the equivalent of 2 boxes) to ensure that the warranty applies.

## INSPECTION

Upon receipt of your order, it is important to inspect the product immediately. If there is an error with the order or some panels have been damaged, you must notify the distributor as soon as possible.

## HANDLING

Handle the box with care with two person. Always lift it up on the narrow side not on the wide side. Use the same principle when handling the panels to prevent them from bending and/or warping.



## STORAGE

In order to maintain the aesthetic and physical properties of MAC Metal Architectural's Board and Batten metal siding, it is important to follow certain storage rules.

If panels cannot be installed immediately after delivery, store them indoors in a dry, well-ventilated area. Customers are responsible for the risks associated with storing panels outdoors. If the material must be stored outdoors, here are some recommendations:

Place panels flat, in an area that is not directly exposed to sunlight or extreme temperatures, as these factors can cause the protective film to adhere more strongly to the panels than normal. This makes the film difficult to remove and can leave glue marks on the panels.

## ZIP SYSTEM INSULATED R-SHEATHING PANEL

Installation of MAC siding over ZIP System Insulated R-Sheathing or similar dualcomposition panels that include a softer-than-wood compound is not recommended.

This type of panel does not provide a rigid installation base for MAC products and allows for warping when exposed to sunlight depending on temperature. This may then result in the cladding sheets becoming warped.

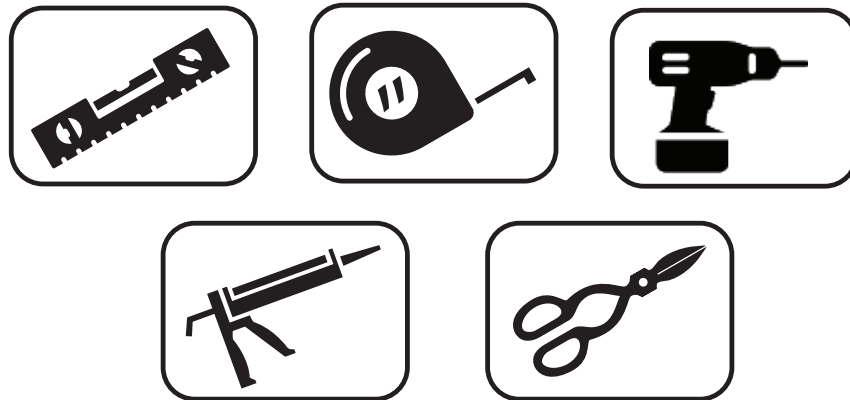
## WOOD COLLECTION INSTALLATION

All the colors in the wood collection are available in three different planks of various wood grains and shades. Each of the planks are identified on the back side with a sequence of numbers from 7 to 9 in bold characters preceded by the # sign.

\*it is important to pay particular attention to this and install the panels in random order to optimize the wood effect, and to avoid creating a "wallpaper" effect, never reproduce the same installation sequence.

## 1. TOOLS

In order to carry out the installation properly, you will need a bending machine or bending pliers, a screwdriver, and sheet metal scissors. You will also need a level, a caulk gun and measuring tape.



## 2. ACCESSORIES

Here is the list of accessories for the installation and finishing of the Board and Batten profile:

- Wood screws or MAC metal screws depending on the type of project
- Waterproofing membrane
- Self-adhesive elastomeric membrane
- Steel roll \*
- Moldings

### MAC SCREWS

The use of MAC screws is strongly recommended. In addition to being perfectly adapted to the profile, they comply with the ASTM B-117 2000h standard.

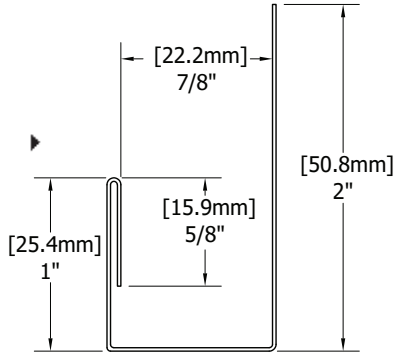
However, if another type of screw must be used, it must meet the ASTM B-117 2000h standard in order for the 40-year product warranty to apply.

Fasten the screws with a moderate contact to ensure that the expansion of the material is not impaired. Screws should not apply upward or downward pressure to avoid bending the profile.

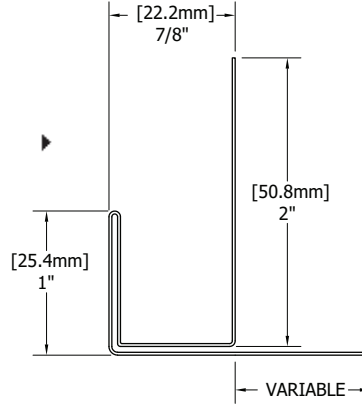


Board and Batten & Reverse Board and Batten | Moldings and Trims

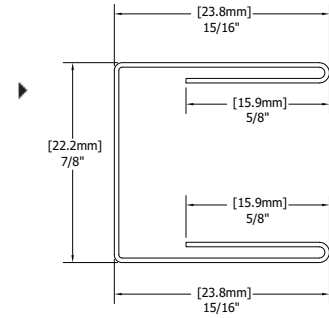
**No. M01H**  
J Trim 1 in



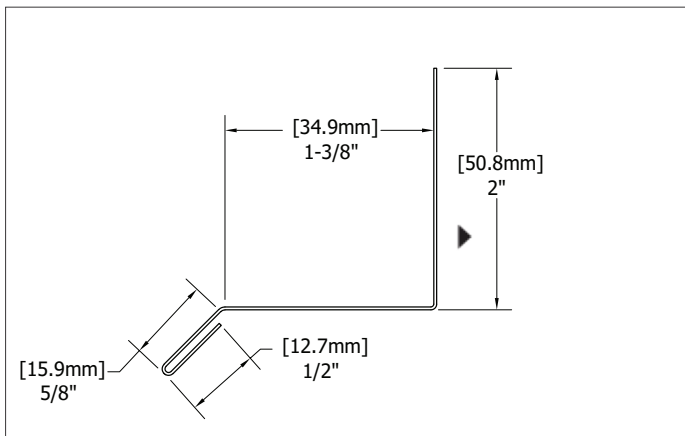
**No. M04H**  
J Trim 3 in



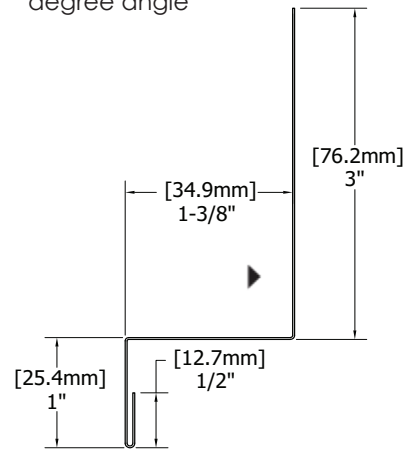
**No. M06H (BB & RBB)**  
Batten trim filler



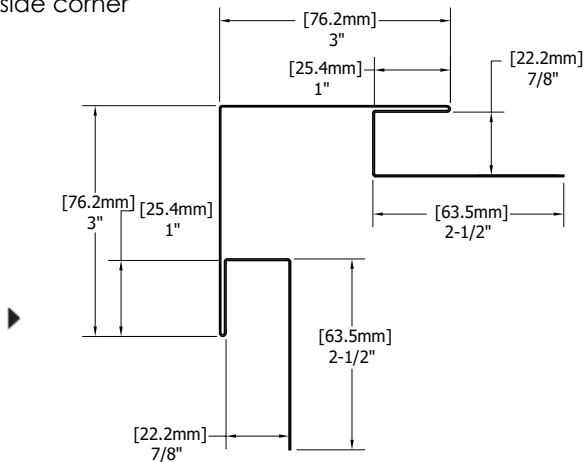
**No. M50H.A**  
Drip flashing



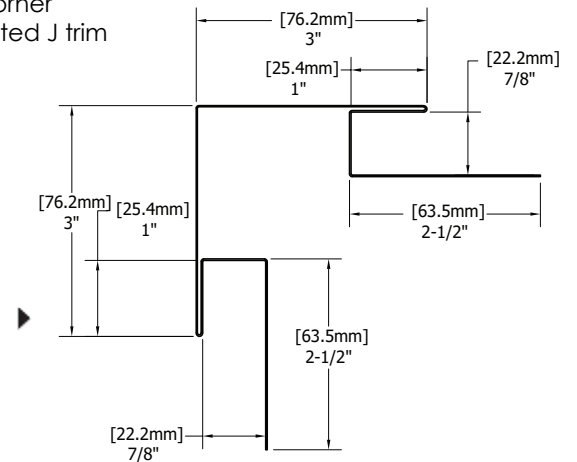
**No. M51H.A**  
Drip flashing w/ 90 degree angle



**No. M22H**  
Inside corner

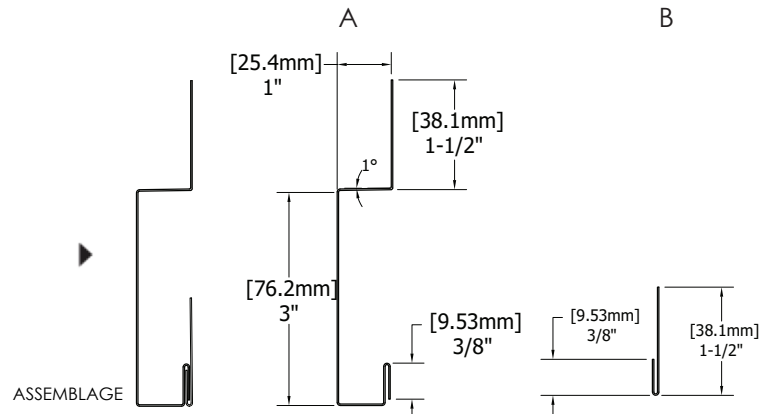


**No. M21H**  
Outside corner  
w/ integrated J trim

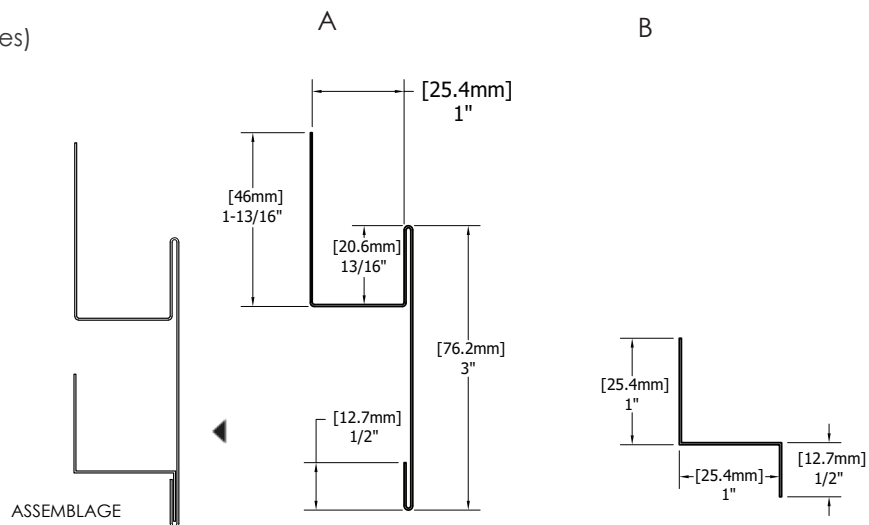


Board and Batten & Reverse Board and Batten | Moldings and Trims

**No. M17H (BB & RBB)**  
 Bricks transition trim /  
 Starter strip 3'' (2 parts)



**No. M12H (BB & RBB)**  
 Vertical transition trim (2 pieces)



### 3. PREPARATION

Before beginning the installation of the Board and Batten or Reverse Board and Batten profiles, make sure that the surface you are covering meets all current industry standards. Always refer to your local building code.

#### WOOD OR STEEL FURRING

This guide will show you how to install MAC siding on wood furring. Depending on the building codes in your area, wood or steel furring may be required. MAC Metal Architectural siding can be directly apply on the recommended rigid surface covered with a weather/moisture barrier. It is up the installer to determine the correct wall assembly needed.

#### CREATE AN INSTALLATION PATTERN

Prior to installation, we recommend that you calculate the width of the wall on which you will be installing the panels in order to create (if this hasn't already been done) an installation pattern based on the size of the panels. This will allow you to determine, if necessary, the sections where the panels will need to be cut.

#### 4. MOLDING OPTIONS

With the Board and Batten profile, you have many different molding options that will allow you to create different looks.

##### OPTION 1 3'' Molding



##### OPTION 2 1'' Molding



OPTION 3  
You can also select a combination of 3'' and 1'' molding depending on the specifications of your project. This will allow you to create a unique look adapted to your needs and/or your client's taste.



## 5. INSTALLATION

### PREPARING A WALL

#### A. FURRING INSTALLATION

It is strongly recommended to install the Board and Batten profile on a double furring 16'' to 24'' on center (one furring on the vertical and a second one on the horizontal). Only in the event that they are recommended by the construction standards in effect in your region.



#### MOLDING INSTALLATION

#### B. INSTALLING THE DRIP FLASHING AT THE BOTTOM OF THE WALL

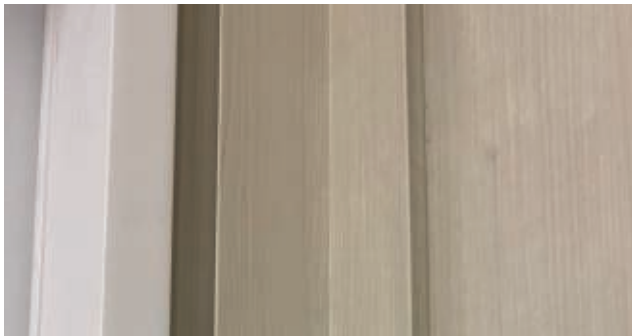
It is important to install the M50H drip flashing directly on the weather/moisture barrier. Then, depending on the option chosen, proceed with the installation of the brick transition molding/ starter strip 3'' if choosing OPTION 1, or if choosing OPTION 2, directly install on the drip flashing.





### C. INSIDE CORNER

Measure the desired length from the top to the bottom of the wall. Then, use this measurement to cut the inside corner and put it in place.



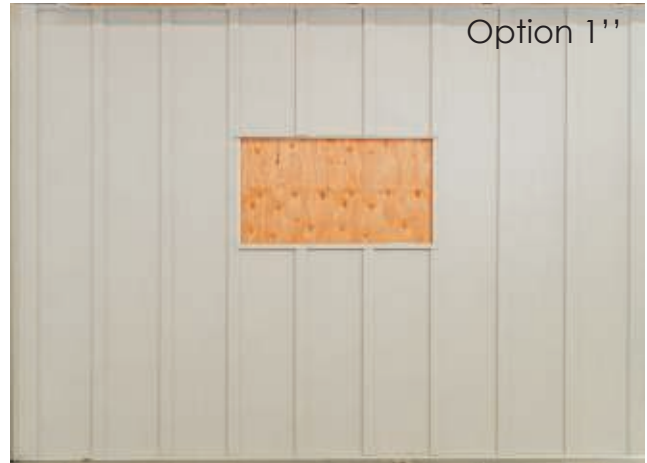
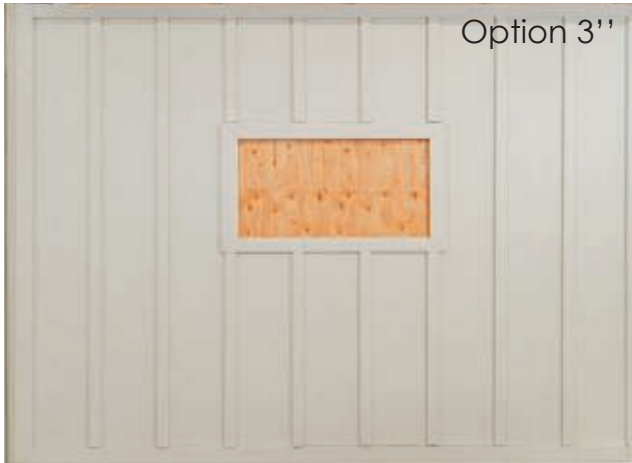
### D. OUTSIDE CORNER

Measure the desired length from the top to the bottom of the wall. Then, use this measurement to cut the molding and install the outside corner in place.



D. INSTALLING A PANEL

Before installing a panel, take the measurement from the top of the wall. Cut the J-Trim to this measurement and fasten it in place with screws (Option J-Trim 1'' or J-Trim 3'').



To facilitate the installation of the panels, start by inserting the male part into the female part from the top to the bottom of the panel. Once the panel is in place, secure it with screws every 16 to 24 inches.

- A. First, place the top of the panel into the J-Trim.
- B. Make sure the panels are well fastened with screws. There should always be 10'' between the battens.
- C. Secure the panel with MAC screws.
- D. Watch the installation videos on the MAC Metal website or on the YouTube channel.



### CUTTING AND FINISHING PANELS AT THE END OF THE WALL - STEP 3

You may need to cut the panels to complete your wall and finish in a J-Trim, an exterior corner, or an interior corner. If so, it is important to cut the panel  $\frac{3}{4}$ " wider than the intended width, and bend this  $\frac{3}{4}$ " at 90 degrees towards the outside of the wall (if the wall is highly exposed to the wind, you can add a sealant to prevent the panel from coming loose).

- A. Take the desired width measurements.
- B. Cut the panel, adding  $\frac{3}{4}$ " more than the expected width.
- C. Fold the panel with a folding tool at 90 degrees to the outside of the wall.
- D. If the wall is highly exposed to the wind, you can add a sealant to prevent the panel from coming loose.
- E. You also have the option of adding a batten trim filler (M06H) in the J-Trim. This will create a batten effect inside the trim.
- F. Watch the installation videos on the MAC Metal website or on the YouTube channel.

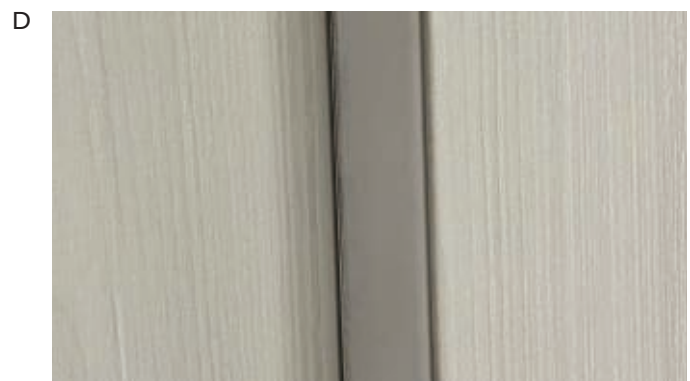


#### AROUND AN OPENING - Step 4

The next step is to proceed with the installation of the moldings for the contour of an opening. To do this, you will need to take the measurements of the opening. Then, cut the drip flashing for the top, then cut a J-Trim to make the two sides and the bottom.

For the top of the window, it is important to make a double fold and cut the excess off the ribs. Install the moldings around the opening to form a frame for your panels.

- A. Take your measurements.
- B. Install the moldings in place.
- C. Cut the panel to the required size.
- D. You also have the option of adding a batten trim filler (M06H) in the J-Trim.  
This will create a batten effect inside the trim.
- E. Watch the installation videos on the MAC Metal website or on the YouTube channel.







For more information on the installation of the Farmhouse Seires, visit the PRO section of our website, [MACmetalarchitectural.com](http://MACmetalarchitectural.com) or our Youtube Chanel. You will find a bank of technical information on the profile, such as a series of installation videos, molding guides as well as access to technical drawings.



MAC Metal Architectural  
5975 Ch. de la Savane,  
Saint-Hubert, QC J3Y 0X1  
T. 450 464-5486 | T F. 450 464-4538  
[info@MACmetalarchitectural.com](mailto:info@MACmetalarchitectural.com)  
[MACmetalarchitectural.com](http://MACmetalarchitectural.com)